

# KOBELCO

HYDRAULIC CRAWLER CRANE

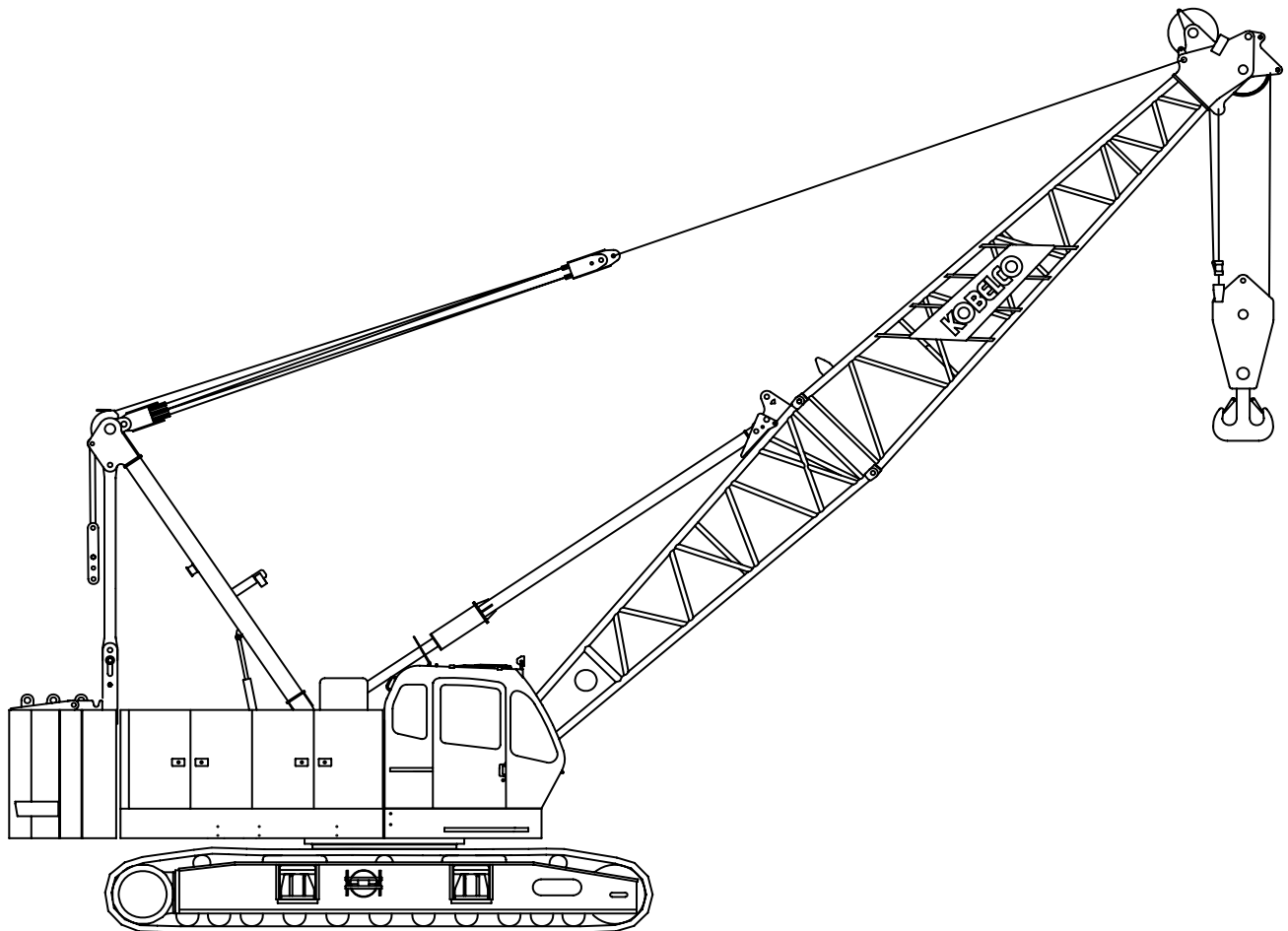
# CK1000-III

## LUFFING JIB LIFTING CAPACITIES

*Max. Lifting Capacity with Luffing Jib: 80,000 lbs*

*Max. Boom Length: 115 ft (with up to 100' of Luffing Jib)*

*Max. Luffing Jib Length: 170 ft (with up to 95' of Main Boom)*



# SPECIFICATIONS FOR CK1000-III CRAWLER CRANE

## LUFFING JIB

The Kobelco CK1000-III Crawler Crane is designed from the ground up for reliable operation, convenient maintenance and easy transport. Please consult your Kobelco distributor for additional information regarding specifications, operating parameters and maintenance requirements.

### 1. GENERAL DESCRIPTION

<b>Type</b>	Crawler mounted, fully revolving
<b>Maximum lifting capacity with luffing jib</b>	80,000 lbs x 22' (36.3 ton x 6.7m)
<b>Maximum boom length</b>	115' (35.1 m) with up to 100' (30.5 m) of luffing jib
<b>Maximum luffing jib length</b>	170' (51.8 m) with up to 95' (28.9 m) of main boom
<b>Working weight</b>	Approx. 200,400 lbs (90.9 ton) (Including upper and lower machine, counterweights, 55' boom + 50' jib, hook block)
<b>Ground bearing pressure</b>	
<b>(with 55' boom + 50' jib)</b>	Approx. 14.0 psi (96.4 kPa)

### 2. WORKING SPEED

<b>Hoist line speed (front and rear drum)</b>	390 ~ 10 ft/min (120 ~ 3 m/min)
<b>Lowering line speed (front and rear drum)</b>	390 ~ 10 ft/min (120 ~ 3 m/min)
<b>Boom hoist line speed</b>	230 ~ 7 ft/min (70 ~ 2 m/min)
<b>Boom lowering line speed</b>	230 ~ 7 ft/min (70 ~ 2 m/min)
<b>Jib hoist line speed</b>	98~7 ft/min (30~2 m/min)
<b>Jib Lowering line speed</b>	98~7 ft/min (30~2 m/min)
<b>Swing speed</b>	4.0 rpm (4.0 min <sup>-1</sup> )
<b>Travel speed (High / Low)</b>	1.18 / 0.75 mph (1.9 / 1.2 km/hour)

Line speed based on single line, no load and first layer of rope on the drum. Line speed is controllable by Dial-type Speed Control System.

### 3. LUFFING JIB ATTACHMENTS

#### 3.1 Boom

The welded lattice construction uses tubular, high-tension steel chords with pin connections between sections, extendible up to 115' (35.1 m).

<b>Basic boom length</b>	55' (16.8 m)
<b>Boom tip section (with pin connected boom point sheave)</b>	5' (1.52 m)
<b>Boom insert section (with idler sheave)</b>	30' (9.14 m)
<b>Boom base section</b>	20' (6.10 m)
<b>Maximum boom length</b>	115' (35.1 m)

#### 3.2 Boom insert

Boom insert is available to provide extension capabilities. They feature welded lattice construction with tubular, high-tension strength steel chords and pin connections.

**Boom insert** 10' (3.05 m), 20' (6.10 m), 30' (9.14 m)

#### 3.3 Jib

The jib employs welded lattice construction with tubular, high-tension steel chords with pin connections between sections, extendible up to 170' (51.8 m).

<b>Basic jib length</b>	50' (15.2 m)
<b>Jib insert</b>	10' (3.05 m)
<b>Jib tip section</b>	21' (6.40 m)
<b>Jib base section</b>	19' (5.79 m)
<b>No. of point sheaves</b>	3
<b>Maximum lift capacity</b>	80,000 lbs (36.3 ton)
<b>Maximum jib length</b>	170' (51.8 m)
<b>Insert jib length</b>	10' (3.05 m), 20' (6.10 m), 40' (12.2 m)

Jib boom inserts are available to provide extension capabilities. They feature welded lattice construction with tubular, high-tension strength steel chords and pin connections. 10' (3.05 m), 20' (6.10 m), and 40' (12.2 m) boom inserts and jib tip section are common to CK1000-III straight crane boom.

#### 3.4 Auxiliary sheave

One (1) sheave with rollers, required during erection of jib.

#### 3.5 Diameter of wire ropes

<b>Hoist rope</b>	1" (26.0 mm)
<b>Jib hoist rope (6 parts)</b>	1" (26.0 mm)
<b>Boom hoist rope (12 parts)</b>	5/8" (16 mm)
<b>Boom suspension rope</b>	1-3/16" (30 mm)
<b>Jib suspension rope</b>	1-3/16" (30 mm)
<b>Strut suspension rope</b>	1-3/16" (30 mm)

#### 3.6 Boom hoist reeving

Twelve (12) parts of 5/8" (16.0 mm) dia. high strength wire rope.

#### 3.7 Jib hoist reeving

Six (6) parts of 1" (26.0 mm) dia. high strength wire rope.

#### 3.8 Backstops

Required for all boom and jib length.

#### 4. JIB HOIST DRUM

**Jib hoist drum** (3rd drum on straight crane - without  
freefall function)

Powered by hydraulic motor through planetary reducer.

**Drum** Single drum

Grooved for 1" (26.0 m) dia. wire rope

**Brake** A spring-set, hydraulically released  
multiple-disc brake is internally configured in the  
hoist motor and is operated through a  
counter-balance valve.

External ratchet for locking drum.

#### 5. SAFETY DEVICES

Function lock lever

Hook over hoist shut off (Anti-two-block)

Boom and jib over hoist limit switch

Boom angle indicator

Signal horn

Boom and jib hoist drum lock

Front and rear hoist drum lock

Swing lock

Swing alarm (Buzzer and lamps)

Boom backstops

Jib backstops

Strut backstops

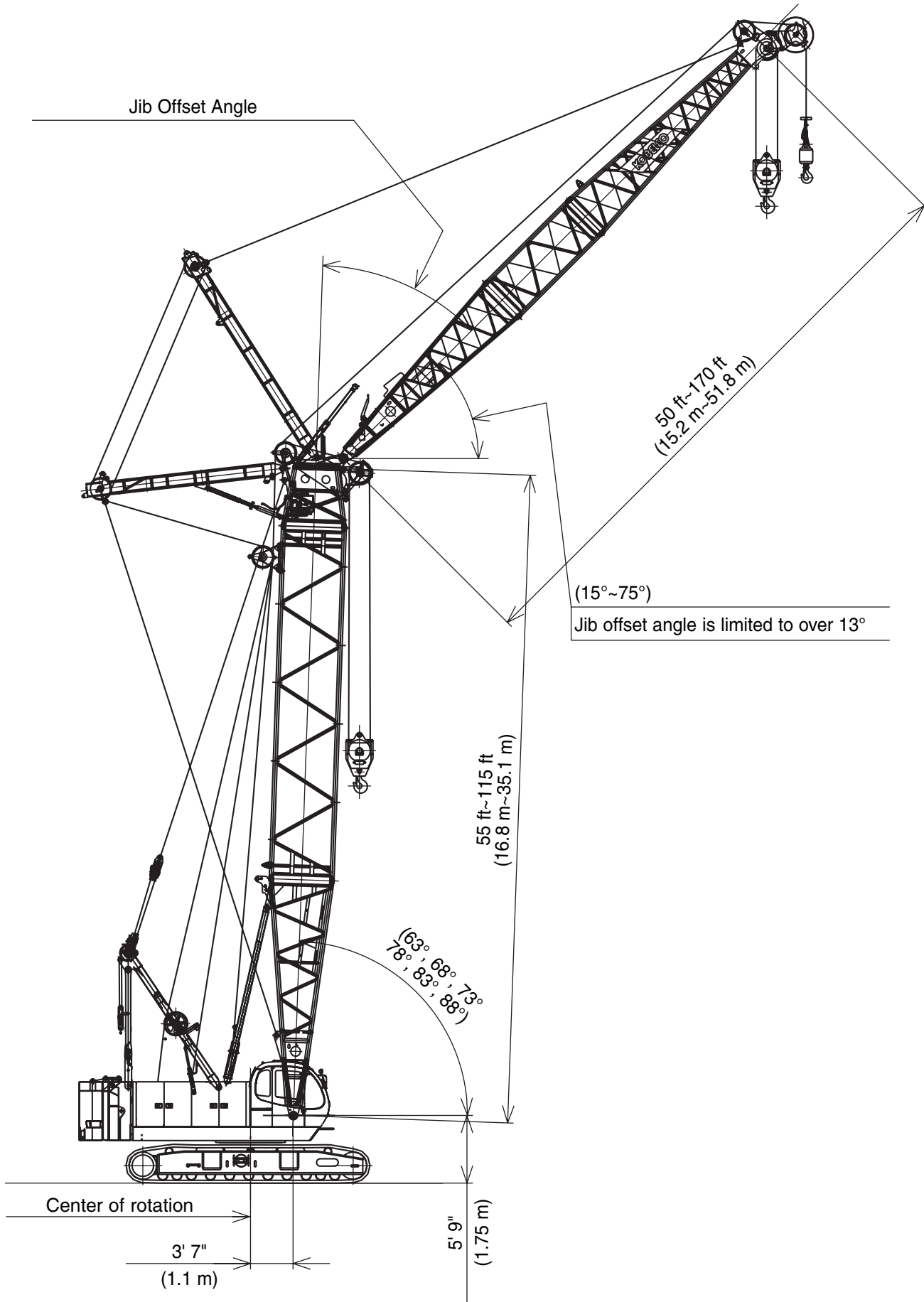
Over load preventive device (Load Moment Indicator)

All specifications are subject to change without notice.

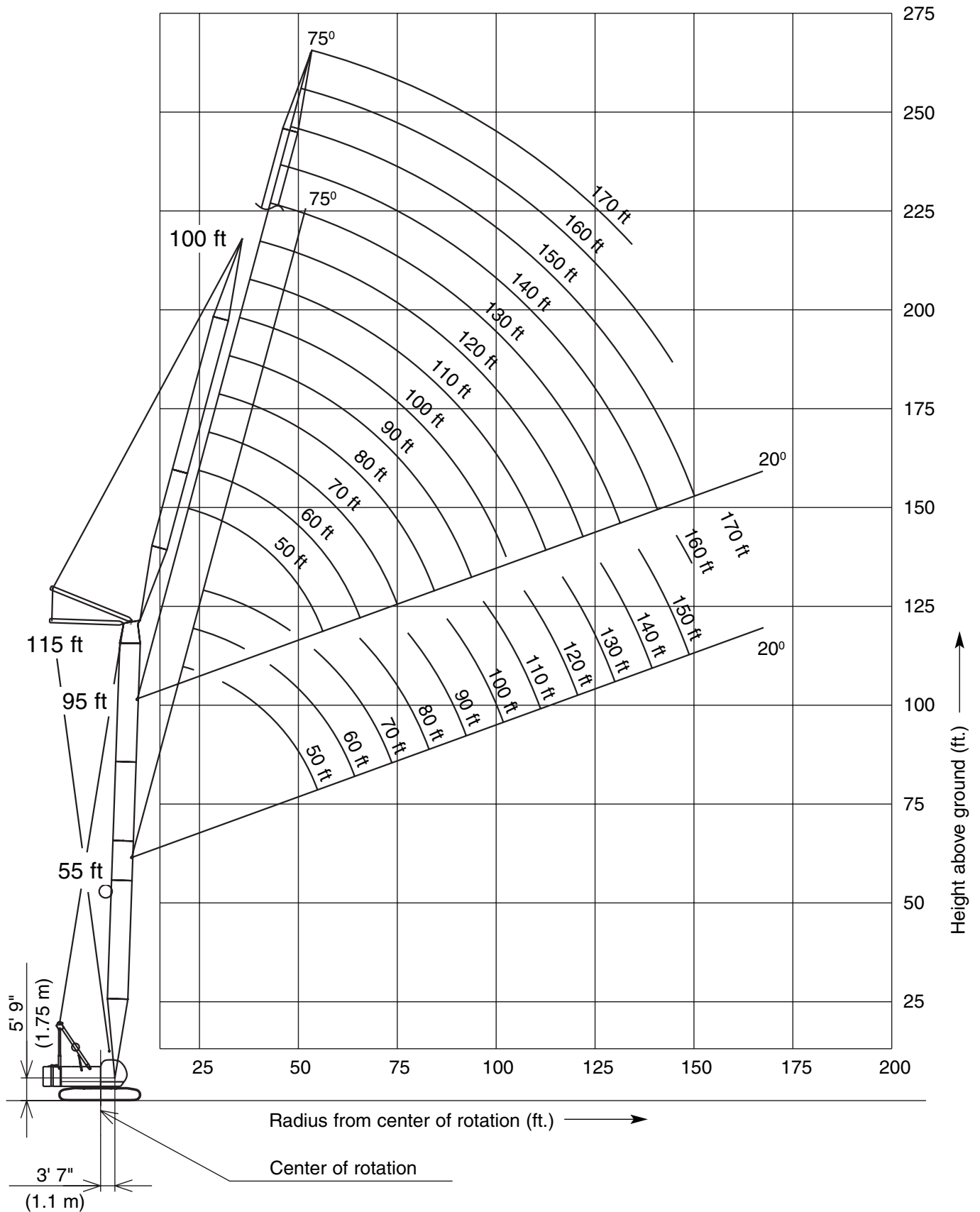
# Luffing Jib Dimensions



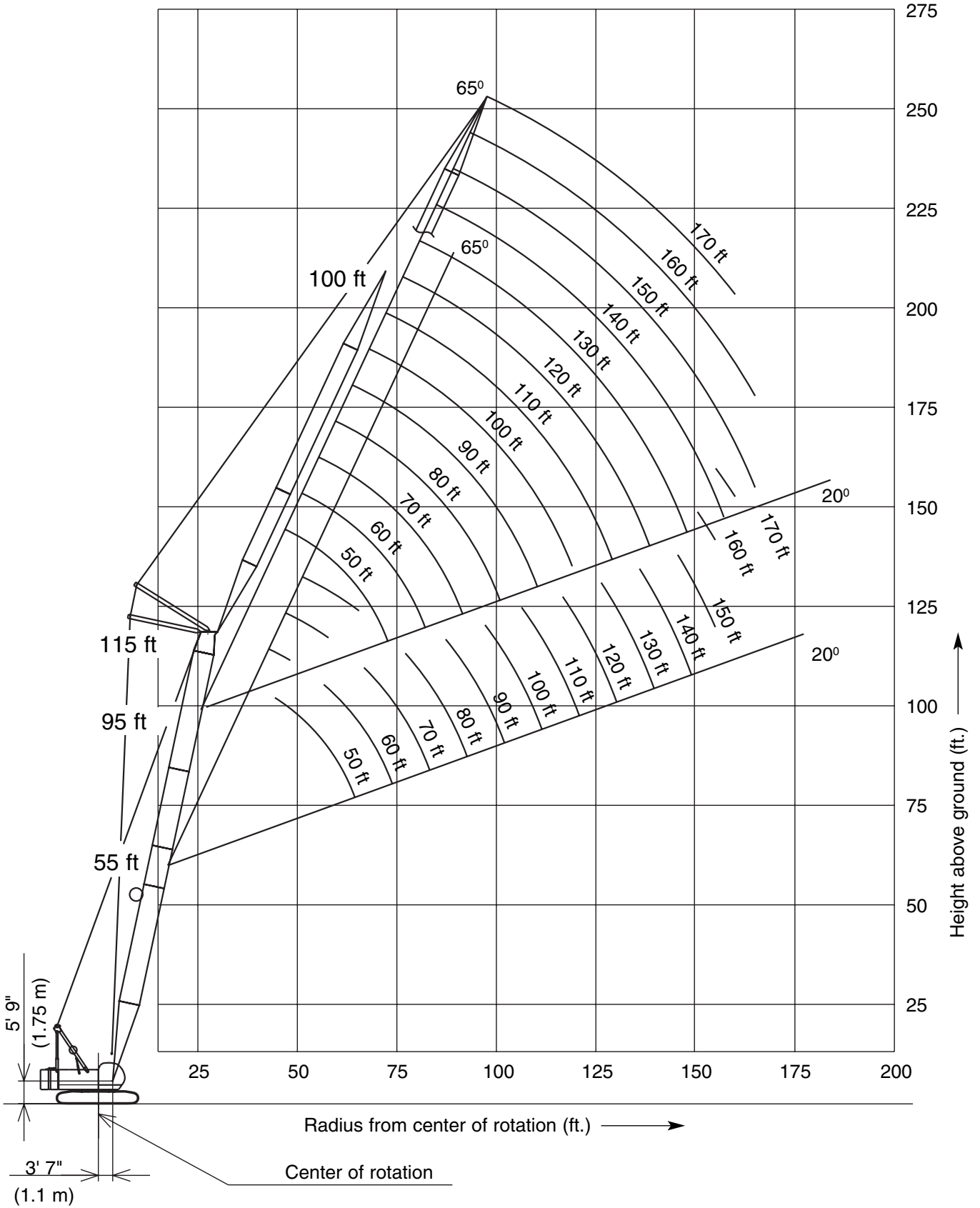
Unit: ft-in(mm)



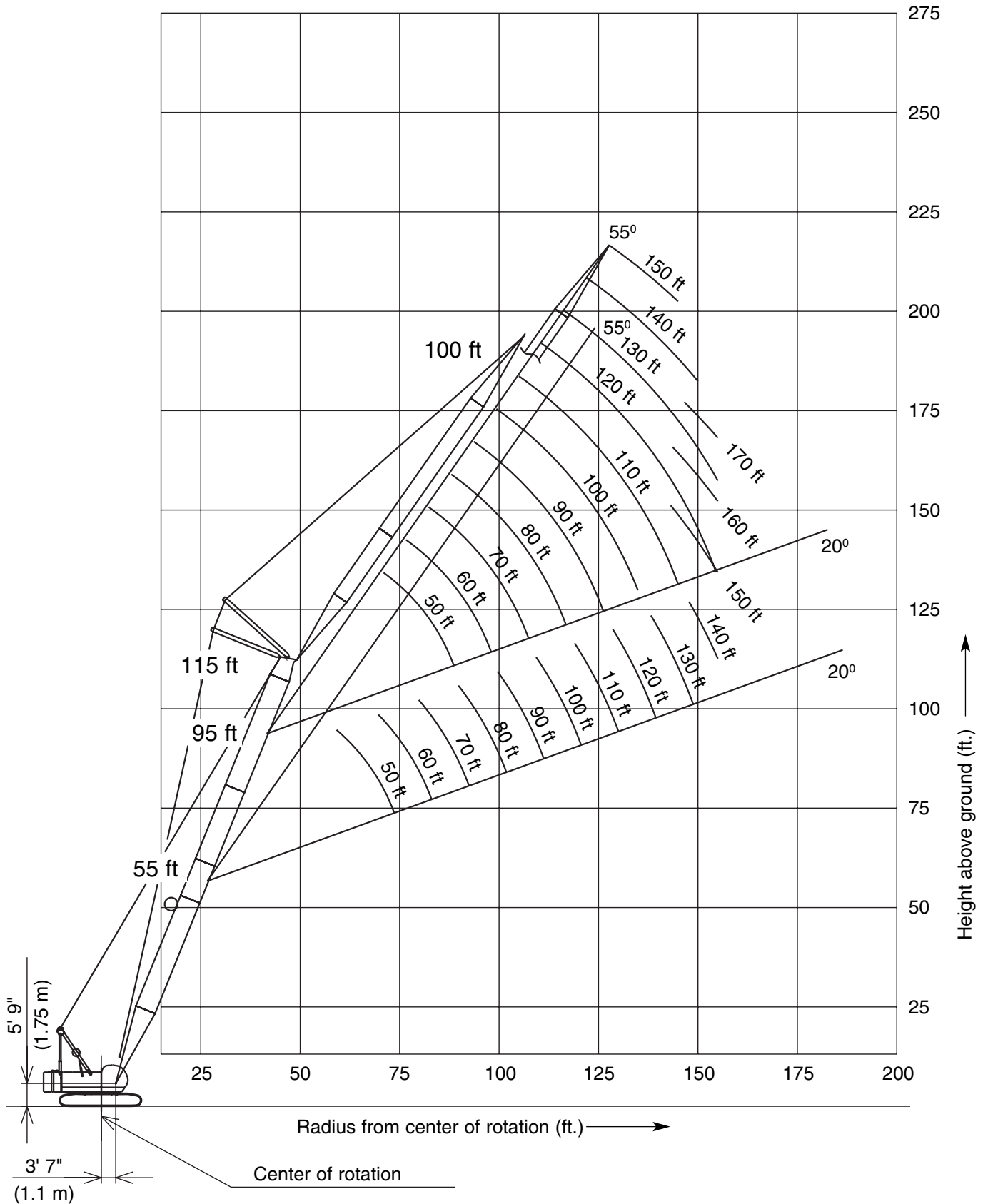
## Boom Angle 88°



## Boom Angle 78°



## Boom Angle 68°



# Boom and Guy Line Arrangement

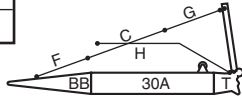


## (Luffing Jib) 1/2

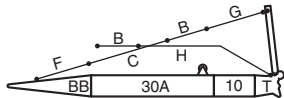
GUY LINE LENGTH		
Item	Dia in.(mm)	Length ft(m)
B	Ø 1 3/16" (30)	10.00' (3.05)
C	Ø 1 3/16" (30)	20.00' (6.10)
E	Ø 1 3/16" (30)	30.00' (9.14)
F	Ø 1 3/16" (30)	13.25' (4.04)
G	Ø 1 3/16" (30)	14.34' (4.37)
H	Ø 1 3/16" (30)	34.22' (10.43)

For most efficient use of this machine, boom and guy line arrangement must be correctly observed as shown.

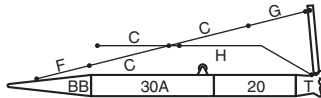
55 ft  
(16.8 m)



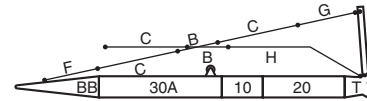
65 ft  
(19.8 m)



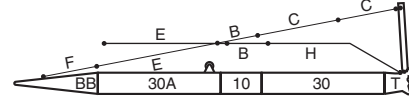
75 ft  
(22.9 m)



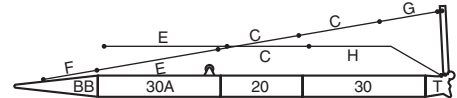
85 ft  
(25.9 m)



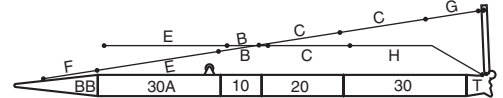
95 ft  
(29.0 m)



105 ft  
(32.0 m)



115 ft  
(35.1 m)



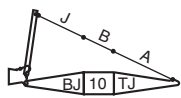
# Boom and Guy Line Arrangement

## (Luffing Jib) 2/2

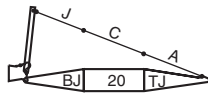
GUY LINE LENGTH		
Item	Dia in.(mm)	Length ft(m)
A	Ø 1 3/16" (30)	20.24' (6.17)
B	Ø 1 3/16" (30)	10.00' (3.05)
C	Ø 1 3/16" (30)	20.00' (6.10)
D	Ø 1 3/16" (30)	40.00' (12.20)
J	Ø 1 3/16" (30)	18.57' (5.66)

For most efficient use of this machine, boom and guy line arrangement must be correctly observed as shown.

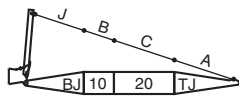
50 ft  
(15.24 m)



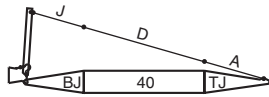
60 ft  
(18.29 m)



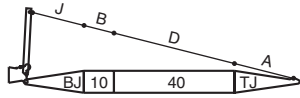
70 ft  
(21.34 m)



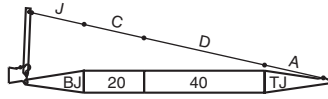
80 ft  
(24.38 m)



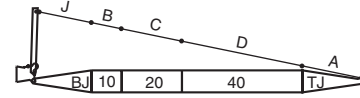
90 ft  
(27.43 m)



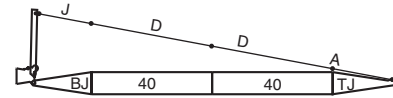
100 ft  
(30.48 m)



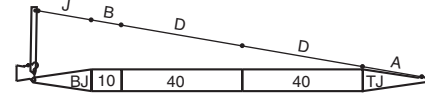
110 ft  
(33.53 m)



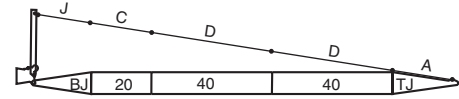
120 ft  
(36.58 m)



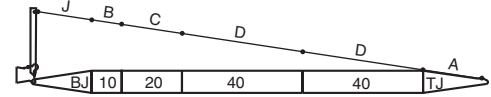
130 ft  
(39.62 m)



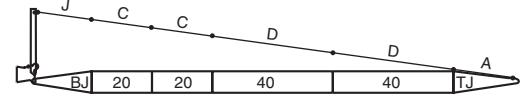
140 ft  
(42.67 m)



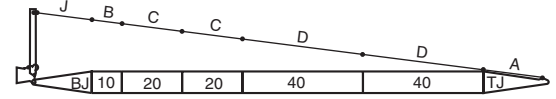
150 ft  
(45.72 m)



160 ft  
(48.77 m)



170 ft  
(51.82 m)



# Rating Chart Supplemental Data



The following guidelines should be referred to when interpreting the load rating charts.

- Rated loads included in the charts are the maximum allowable freely suspended loads at a given boom length, boom angle and load radius, and have been determined for the machine standing level on firm supporting surface under ideal operating conditions. The user must limit or de-rate rated loads to allow for adverse conditions (such as soft or uneven ground, out-of-level conditions, wind, side loads, pendulum action, jerking or sudden stopping of loads, inexperience of personnel, multiple machine lifts, and traveling with a load).
- Capacities do not exceed 75% of minimum tipping loads. Capacities based on factors other than machine stability such as structural competence are shown by **asterisk\*** in the charts.
- The machine must be reeved and set-up as stated in the Operator's Manual and all the instruction manuals. If these manuals are missing, obtain replacements.
  - Boom backstops and jib backstops are required for all boom lengths.
  - Gantry must be in the fully raised position for all operations.
  - The crane must be leveled to within 1% on a firm supporting surface.
- Do not attempt to lift a load where no radius on load chart is listed as crane may tip or collapse.
- Attempting to lift more than rated loads may cause machine to tip or collapse. Do not tip machine to determine capacity.
- Weight of hooks, hook blocks, slings and other lifting devices are a part of the total load. Their total weight must be subtracted from the rated load to obtain the weight that can be lifted.
- When lifting over jib point with auxiliary sheave or pin connected boom point sheave attached, rated loads for the jib and sheave must be deducted as shown below.

	Auxiliary Sheave	Pin Connected Boom point sheave
Deduction (lbs)	850	480

- The total load that can be lifted over a jib is limited by the rated jib loads.
- The total load that can be lifted over an auxiliary sheave is the value 850 lbs deducted from rated load for the jib without auxiliary sheave, but it should not exceed 25,000 lbs.

## 10. Luffing boom and jib combinations.

		Jib Length (ft)												
		50	60	70	80	90	100	110	120	130	140	150	160	170
Boom Length (ft)	55	0	0	0	0	0	0	0	0	0	0	0	0	0
	65	0	0	0	0	0	0	0	0	0	0	0	0	0
	75	0	0	0	0	0	0	0	0	0	0	0	0	0
	85	0	0	0	0	0	0	0	0	0	0	0	0	0
	95	0	0	0	0	0	0	0	0	0	0	0	0	0
	105	0	0	0	0	0	0	0	0	0	0*	0*	X	X
	115	0	0	0	0	0*	0*	X	X	X	X	X	X	X

0: Indicates combinations which are allowed.

0\*: Indicates combinations which are allowed if a pin connected boom point sheave is not used.

X: Indicates combinations which are not allowed.

- The boom should be erected over the front of the crawlers, not laterally. When erecting and lowering a boom length of 85 ft (25.9 m) and over, the blocks for erection must be placed at the end of the crawlers in front of the idler wheel.
- Least stable position is over the side.
- Maximum number of reeving parts of lines for hoist rope

### (1) Parts of line for luffing jib

		Jib Length (ft)												
		50	60	70	80	90	100	110	120	130	140	150	160	170
Boom Length (ft)	55	4	4	4	4	4	2	2	2	2	2	2	2	2
	65	4	4	4	4	2	2	2	2	2	2	2	2	2
	75	4	4	4	4	2	2	2	2	2	2	2	2	2
	85	4	4	4	4	2	2	2	2	2	2	2	2	2
	95	4	4	4	2	2	2	2	2	2	2	2	2	2
	105	4	4	2	2	2	2	2	2	2	2	2	X	X
	115	4	2	2	2	2	2	X	X	X	X	X	X	X

X: Indicates combinations which are not allowed.

### (2) Parts of line for crane boom when pin connected point sheave is installed. (Luffing jib is attached but not used.)

		Jib Length (ft)												
		50	60	70	80	90	100	110	120	130	140	150	160	170
Boom Length (ft)	55	4	4	4	4	4	4	4	4	4	4	4	2	2
	65	4	4	4	4	4	4	4	4	4	4	4	2	2
	75	4	4	4	4	4	4	4	4	4	2	2	2	2
	85	4	4	4	4	4	4	4	4	2	2	2	2	2
	95	4	4	4	4	4	2	2	2	2	2	2	2	2
	105	4	4	4	4	4	2	2	2	2	X	X	X	X
	115	4	2	2	2	X	X	X	X	X	X	X	X	X

X: Indicates combinations which are not allowed.

14. Maximum hoisting load per parts of line (hoist rope).

**Main boom hoist loads**

Parts of line	1	2	(3)	4
Maximum loads (lbs)	25,000	50,000	75,000	90,000

**Jib hoist loads**

Parts of line	1	2	(3)	4
Maximum loads (lbs)	25,000	50,000	75,000	80,000

**Auxiliary hoist loads**

Parts of line	1
Maximum loads (lbs)	25,000

*Parts of lines with parenthesis ( ) is not recommended for lifting.*

**Minimum weight of hook block required for lowering.**

Parts of line	1	2	4
Weight (lbs)	600	1,200	1,500

15. Lifting capacities shown apply only to the machine as originally manufactured and designed by KOBELCO CRANES CO., LTD. Modifications to this machine or use of equipment other than that specified can reduce operating capacity.

16. Designed and rated to comply with ANSI Code B30.5.

*Operation of this equipment in excess of rated loads or disregard of instruction voids the warranty.*

# CK1000-III Luffing Jib Rated Loads in Pounds

3 Counterweights + 2 Low Weights - Crawlers fully extended

55' Boom							60 ft Jib						
Load Radius (ft.)	50 ft Jib						Load Radius (ft.)	60 ft Jib					
	Boom Angle							Boom Angle					
	88	83	78	73	68	63		88	83	78	73	68	63
22	80,000 *						22						
24	73,100 *						24						
26	67,500 *						26	67,100 *					
28	62,700 *						28	62,500 *					
30	58,600 *						30	58,300 *					
35	49,800 *	49,800 *					35	49,500 *	49,300 *				
40	43,600 *	43,600 *	43,600 *				40	43,400 *	43,400 *				
45	38,800 *	38,600	37,700				45	38,600 *	38,100	37,000			
50	32,600 *	33,500	32,800	32,200			50	34,200 *	33,300	32,600			
55	25,400 *	29,500	28,900	28,200			55	30,000 *	29,300	28,700	27,800		
60		26,500	25,800	25,100	24,700		60	26,300 *	26,200	25,600	24,900		
65			23,400	22,700	22,300	21,600	65	20,900 *	23,600	23,100	22,500	21,800	
70				20,700	20,300	19,800	70		21,400	20,900	20,500	20,100	
75						18,100	75				18,500	18,100	17,600
80							80					16,800	16,300
85							85						15,000
90							90						
95							95						
100							100						
105							105						
110							110						
115							115						
120							120						
125							125						
130							130						
135							135						

55' Boom							80 ft Jib						
Load Radius (ft.)	70 ft Jib						Load Radius (ft.)	80 ft Jib					
	Boom Angle							Boom Angle					
	88	83	78	73	68	63		88	83	78	73	68	63
22							30						
24							35	49,100 *					
26							40	43,200 *					
28	61,800 *						45	38,400 *	37,700				
30	58,300 *						50	33,700	33,100				
35	49,500 *						55	29,500	28,900	27,800			
40	43,400 *	43,200 *					60	26,500	25,800	25,100			
45	38,600 *	38,100					65	23,800	23,100	22,500	21,800		
50	34,200	33,300	32,200				70	21,600	21,200	20,500	20,100		
55	30,000	29,300	28,400				75	19,600	19,200	18,500	18,100	17,600	
60	26,700	26,000	25,400	24,700			80	18,100	17,600	17,000	16,800	16,100	
65	24,000	23,600	22,900	22,300			85		16,300	15,700	15,400	14,800	14,300
70	21,700 *	21,400	20,700	20,300	19,800		90			14,600	14,100	13,700	13,200
75		19,400	19,000	18,300	17,900		95				13,000	12,800	12,300
80			17,400	16,800	16,500	16,100	100					11,900	11,500
85				15,400	15,200	14,800	105						10,600
90					14,100	13,700	110						
95						12,600	115						
100							120						
105							125						
110							130						
115							135						
120							140						
125							145						
130							150						
135							155						

# CK1000-III Luffing Jib Rated Loads in Pounds

3 Counterweights + 2 Low Weights - Crawlers fully extended

55' Boom							100 ft Jib						
Load Radius (ft.)	90 ft Jib						Load Radius (ft.)	100 ft Jib					
	Boom Angle							Boom Angle					
	88	83	78	73	68	63		88	83	78	73	68	63
30							30						
35	48,900 *						35						
40	42,900 *						40	42,700 *					
45	38,100 *	37,500					45	38,100 *					
50	33,500	32,800					50	33,500	32,400				
55	29,300	28,700					55	29,300	28,400				
60	26,200	25,600	24,700				60	26,000	25,400				
65	23,600	23,100	22,300				65	23,600	22,700	22,000			
70	21,400	20,900	20,300	19,800			70	21,400	20,500	20,100			
75	19,400	19,000	18,300	17,900			75	19,400	18,700	18,100	17,600		
80	17,900	17,400	16,800	16,300	15,900		80	17,600	17,000	16,800	16,100		
85	16,500	16,100	15,400	15,200	14,600		85	16,300	15,700	15,400	14,800		
90	15,200	14,800	14,300	13,900	13,400		90	15,000	14,600	14,100	13,700	13,200	
95		13,700	13,200	13,000	12,600	12,100	95	13,900	13,400	13,000	12,600	12,100	
100			12,300	11,900	11,700	11,200	100	13,000	12,600	12,100	11,700	11,200	10,800
105				11,200	10,800	10,400	105		11,700	11,200	10,800	10,400	10,100
110					10,100	9,700	110			10,600	10,100	9,700	9,500
115						9,000	115				9,500	9,000	8,800
120							120					8,600	8,200
125							125						7,700
130							130						
135							135						
140							140						
145							145						
150							150						
155							155						

55' Boom							120 ft Jib						
Load Radius (ft.)	110 ft Jib						Load Radius (ft.)	120 ft Jib					
	Boom Angle							Boom Angle					
	88	83	78	73	68	63		88	83	78	73	68	63
30							30						
35							35						
40	42,700 *						40						
45	37,900 *						45	37,700 *					
50	33,500						50	33,100					
55	29,100	28,200					55	28,900					
60	26,000	25,100					60	25,800	24,900				
65	23,400	22,700					65	23,100	22,300				
70	21,200	20,500	20,100				70	20,900	20,100	19,400			
75	19,200	18,500	18,100				75	19,000	18,300	17,900			
80	17,600	17,000	16,500	16,100			80	17,400	16,800	16,300			
85	16,300	15,700	15,200	14,800			85	15,900	15,200	15,000	14,300		
90	15,000	14,300	14,100	13,700			90	14,800	14,100	13,700	13,200		
95	13,900	13,200	13,000	12,600	12,100		95	13,400	13,000	12,600	12,100		
100	12,800	12,300	12,100	11,700	11,200		100	12,600	12,100	11,700	11,200	10,800	
105	11,900	11,500	11,200	10,800	10,400	9,900	105	11,700	11,200	11,000	10,600	10,100	
110	11,200	10,800	10,600	10,100	9,700	9,300	110	11,000	10,400	10,100	9,700	9,300	9,000
115		10,100	9,700	9,500	9,000	8,600	115	10,100	9,700	9,500	9,000	8,600	8,400
120			9,300	8,800	8,400	8,200	120	9,500	9,000	8,800	8,400	8,200	7,700
125				8,200	7,900	7,500	125		8,600	8,400	7,900	7,500	7,300
130					7,500	7,100	130			7,700	7,500	7,100	6,800
135						6,600	135				7,100	6,600	6,200
140							140					6,200	5,700
145							145						5,500
150							150						
155							155						

# CK1000-III Luffing Jib Rated Loads in Pounds

3 Counterweights + 2 Low Weights - Crawlers fully extended

55' Boom							140 ft Jib						
Load Radius (ft.)	130 ft Jib						Load Radius (ft.)	140 ft Jib					
	Boom Angle							Boom Angle					
	88	83	78	73	68	63		88	83	78	73	68	63
45	37,500 *						45						
50	32,800						50	32,600					
55	28,700						55	28,400					
60	25,600	24,700					60	25,100					
65	22,900	22,000					65	22,500	21,800				
70	20,700	19,800					70	20,300	19,800				
75	18,700	18,100	17,200				75	18,300	17,900				
80	17,000	16,500	16,100				80	16,800	16,300	15,700			
85	15,700	15,000	14,800				85	15,400	15,000	14,300			
90	14,600	13,900	13,400	13,000			90	14,100	13,900	13,200			
95	13,200	12,800	12,300	11,900			95	13,000	12,600	12,100	11,500		
100	12,300	11,900	11,500	11,000			100	12,100	11,700	11,200	10,600		
105	11,500	11,000	10,800	10,100	9,700		105	11,200	10,800	10,400	9,900		
110	10,600	10,100	9,900	9,500	9,000		110	10,400	10,100	9,700	9,300	8,800	
115	9,900	9,500	9,300	8,800	8,400		115	9,700	9,500	8,800	8,400	8,200	
120	9,300	8,800	8,600	8,200	7,900	7,500	120	9,000	8,800	8,400	7,900	7,500	
125	8,800	8,400	8,200	7,700	7,300	6,800	125	8,400	8,200	7,700	7,300	6,800	6,400
130	8,200	7,700	7,500	7,300	6,800	6,400	130	7,900	7,700	7,300	6,800	6,400	6,000
135		7,300	7,100	6,800	6,400	6,000	135	7,500	7,100	6,800	6,400	6,000	5,500
140			6,600	6,400	6,000	5,500	140	6,800	6,600	6,400	6,000	5,500	5,100
145				6,000	5,500	5,100	145		6,200	6,000	5,500	5,100	4,600
150					5,100	4,900	150			5,500	5,100	4,600	4,400
155						4,400	155				4,600	4,400	4,000
160							160					4,000	3,700
165							165						3,300
170							170						
175							175						

55' Boom							160 ft Jib						
Load Radius (ft.)	150 ft Jib						Load Radius (ft.)	160 ft Jib					
	Boom Angle							Boom Angle					
	88	83	78	73	68	63		88	83	78	73	68	63
50	32,400						50						
55	28,200						55	28,000					
60	25,100						60	24,700					
65	22,500						65	22,300					
70	20,300	19,400					70	20,100	19,200				
75	18,300	17,900					75	18,100	17,400				
80	16,800	16,300					80	16,300	15,900				
85	15,200	14,800	13,900				85	15,000	14,600				
90	14,100	13,700	13,000				90	13,700	13,400	12,600			
95	12,800	12,600	11,900				95	12,600	12,300	11,700			
100	11,900	11,700	11,000	10,600			100	11,700	11,200	10,800			
105	11,000	10,800	10,400	9,700			105	10,800	10,400	9,900	9,500		
110	10,400	9,900	9,500	9,000			110	9,900	9,700	9,300	8,800		
115	9,500	9,300	8,800	8,400	7,900		115	9,300	9,000	8,600	7,900		
120	8,800	8,600	8,200	7,700	7,300		120	8,600	8,400	7,900	7,500		
125	8,400	8,200	7,700	7,300	6,800		125	7,900	7,700	7,300	6,800	6,400	
130	7,700	7,500	7,100	6,800	6,200	6,000	130	7,500	7,300	6,800	6,400	6,000	
135	7,300	7,100	6,600	6,200	5,700	5,300	135	7,100	6,800	6,400	6,000	5,300	
140	6,800	6,600	6,200	5,700	5,300	4,900	140	6,400	6,200	5,700	5,300	4,900	4,400
145	6,400	6,200	5,700	5,300	4,900	4,600	145	6,000	5,700	5,300	4,900	4,600	4,200
150	6,000	5,700	5,300	4,900	4,600	4,200	150	5,700	5,500	5,100	4,600	4,200	3,700
155		5,300	5,100	4,600	4,200	3,700	155		5,100	4,600	4,200	3,700	3,500
160			4,600	4,200	3,700	3,500	160		4,600	4,200	3,700	3,500	3,100
165				4,000	3,500	3,300	165		4,200	4,000	3,500	3,100	
170					3,300		170			3,500	3,300		

# CK1000-III Luffing Jib Rated Loads in Pounds

3 Counterweights + 2 Low Weights - Crawlers fully extended

55' Boom							65' Boom						
Load Radius (ft.)	170 ft Jib						Load Radius (ft.)	50 ft Jib					
	Boom Angle							Boom Angle					
	88	83	78	73	68	63		88	83	78	73	68	63
55	27,800						22						
60	24,500						24	73,100 *					
65	21,800						26	67,500 *					
70	19,600						28	62,700 *					
75	17,600	17,000					30	58,600 *					
80	16,100	15,700					35	49,800 *	49,800 *				
85	14,800	14,300					40	43,600 *	43,600 *				
90	13,400	13,200					45	38,800 *	38,400	37,000			
95	12,300	11,900	11,500				50	33,000 *	33,300	32,400			
100	11,500	11,000	10,600				55	26,500 *	29,300	28,400	27,600		
105	10,600	10,100	9,700				60		26,200	25,600	24,700		
110	9,700	9,500	9,000	8,400			65			22,900	22,300	21,600	
115	9,000	8,800	8,200	7,700			70				20,300	19,800	19,000
120	8,400	8,200	7,700	7,100			75					17,900	17,400
125	7,700	7,500	7,100	6,600			80						15,900
130	7,300	7,100	6,600	6,000	5,500		85						
135	6,600	6,600	6,000	5,500	5,100		90						
140	6,200	6,000	5,500	5,100	4,600		95						
145	5,700	5,500	5,100	4,600	4,200	3,700	100						
150		5,100	4,600	4,200	3,700	3,500	105						
155		4,600	4,400	4,000	3,500	3,100	110						
160		4,400	4,000	3,500	3,100		115						
165			3,500	3,300			120						
170			3,300				125						
175			3,100				130						

65' Boom							70 ft Jib						
Load Radius (ft.)	60 ft Jib						Load Radius (ft.)	70 ft Jib					
	Boom Angle							Boom Angle					
	88	83	78	73	68	63		88	83	78	73	68	63
22							22						
24							24						
26	67,300 *						26						
28	62,500 *						28	61,900 *					
30	58,400 *						30	58,400 *					
35	49,300 *						35	49,300 *					
40	43,400 *	43,400 *					40	43,400 *	43,200 *				
45	38,600	38,100					45	38,600 *	37,900				
50	34,000	33,300	31,700				50	34,000	33,100				
55	29,800	29,100	28,200				55	29,800	28,900	28,000			
60	26,400 *	26,000	25,100	24,500			60	26,700	26,000	24,900			
65	21,600 *	23,600	22,700	22,000			65	24,000	23,400	22,500	21,800		
70		21,400	20,700	20,100	19,200		70	21,800 *	21,200	20,500	19,800		
75			18,700	18,300	17,600	17,000	75	18,100 *	19,200	18,500	18,100	17,400	
80				16,800	16,100	15,700	80		17,600	17,000	16,500	15,900	
85					15,000	14,300	85			15,700	15,200	14,800	14,100
90						13,200	90				14,100	13,700	13,000
95							95					12,600	12,100
100							100						11,200
105							105						
110							110						
115							115						
120							120						
125							125						
130							130						
135							135						

# CK1000-III Luffing Jib Rated Loads in Pounds

3 Counterweights + 2 Low Weights - Crawlers fully extended

65' Boom							90 ft Jib						
Load Radius (ft.)	80 ft Jib						Load Radius (ft.)	90 ft Jib					
	Boom Angle							Boom Angle					
	88	83	78	73	68	63		88	83	78	73	68	63
30							30						
35	49,100 *						35	48,900 *					
40	43,200 *						40	43,000 *					
45	38,400 *	37,500					45	38,100 *					
50	33,700	32,600					50	33,500	32,200				
55	29,500	28,700	27,300				55	29,300	28,400				
60	26,500	25,600	24,700				60	26,200	25,400	24,700			
65	23,800	23,100	22,300				65	23,600	22,900	22,000			
70	21,600	20,900	20,100	19,400			70	21,400	20,700	20,100			
75	19,600	19,000	18,300	17,600			75	19,400	18,700	18,300	17,400		
80	18,100	17,400	16,800	16,300	15,700		80	17,900	17,200	16,800	16,100		
85		16,100	15,400	15,000	14,300		85	16,300	15,900	15,400	14,800	14,100	
90		14,800	14,300	13,900	13,200	12,800	90	15,200	14,800	14,100	13,700	13,000	
95			13,200	12,800	12,300	11,700	95		13,700	13,200	12,600	11,900	11,500
100				11,900	11,500	10,800	100		12,600	12,100	11,700	11,200	10,600
105					10,600	10,100	105			11,500	10,800	10,400	9,900
110						9,500	110				10,100	9,700	9,300
115							115					9,000	8,600
120							120						8,200
125							125						
130							130						
135							135						
140							140						
145							145						
150							150						
155							155						

65' Boom							110 ft Jib						
Load Radius (ft.)	100 ft Jib						Load Radius (ft.)	110 ft Jib					
	Boom Angle							Boom Angle					
	88	83	78	73	68	63		88	83	78	73	68	63
30							30						
35							35						
40	42,700 *						40	42,700 *					
45	37,900 *						45	37,900 *					
50	33,500	32,200					50	33,300					
55	29,300	28,000					55	29,100	28,000				
60	26,000	25,100					60	26,000	24,900				
65	23,400	22,500	21,600				65	23,400	22,500				
70	21,200	20,300	19,600				70	21,200	20,300	19,400			
75	19,200	18,500	17,900				75	19,200	18,300	17,900			
80	17,600	17,000	16,300	15,700			80	17,600	16,800	16,300			
85	16,300	15,700	15,000	14,300			85	16,100	15,400	15,000	14,300		
90	15,000	14,300	13,900	13,200	12,600		90	15,000	14,300	13,900	13,200		
95	13,900	13,200	12,800	12,100	11,700		95	13,900	13,200	12,800	12,100	11,500	
100	13,000	12,300	11,900	11,200	10,800		100	12,800	12,100	11,900	11,200	10,800	
105		11,500	11,000	10,600	10,100	9,500	105	11,900	11,500	11,000	10,600	9,900	
110			10,400	9,900	9,300	8,800	110	11,200	10,600	10,400	9,700	9,300	8,800
115			9,700	9,300	8,600	8,200	115		9,900	9,500	9,000	8,600	8,200
120				8,600	8,200	7,700	120			9,000	8,600	8,200	7,700
125					7,700	7,300	125				7,900	7,500	7,100
130						6,800	130				7,500	7,100	6,600
135							135					6,600	6,200
140							140						5,700
145							145						
150							150						
155							155						

# CK1000-III Luffing Jib Rated Loads in Pounds

3 Counterweights + 2 Low Weights - Crawlers fully extended

65' Boom							65' Boom						
Load Radius (ft.)	120 ft Jib						Load Radius (ft.)	130 ft Jib					
	Boom Angle							Boom Angle					
	88	83	78	73	68	63		88	83	78	73	68	63
30							30						
35							35						
40							40						
45	37,700 *						45	37,500 *					
50	33,100						50	32,800					
55	28,900						55	28,700					
60	25,800	24,700					60	25,600					
65	23,100	22,000					65	22,900	21,800				
70	20,900	20,100					70	20,700	20,100				
75	19,000	18,100	17,400				75	18,700	18,100				
80	17,200	16,500	15,900				80	17,000	16,500	15,700			
85	15,900	15,200	14,600				85	15,700	15,200	14,300			
90	14,600	13,900	13,400	12,800			90	14,300	13,900	13,200			
95	13,400	12,800	12,300	11,700			95	13,200	12,800	12,100	11,500		
100	12,600	11,900	11,500	11,000			100	12,300	11,900	11,200	10,600		
105	11,700	11,000	10,800	10,100	9,500		105	11,500	11,000	10,400	9,900		
110	10,800	10,400	9,900	9,500	8,800		110	10,600	10,400	9,700	9,300	8,600	
115	10,100	9,700	9,300	8,800	8,200	7,700	115	9,900	9,500	9,000	8,600	7,900	
120	9,500	9,000	8,600	8,200	7,700	7,300	120	9,300	9,000	8,400	7,900	7,500	
125		8,400	8,200	7,700	7,300	6,600	125	8,600	8,400	7,900	7,500	6,800	6,400
130			7,500	7,100	6,600	6,200	130	8,200	7,900	7,300	6,800	6,400	6,000
135				6,600	6,200	5,700	135		7,300	6,800	6,400	6,000	5,500
140					5,700	5,300	140			6,400	6,000	5,500	5,100
145					5,300	4,900	145				5,500	5,100	4,600
150						4,600	150					4,600	4,200
155							155					4,400	4,000

65' Boom							65' Boom						
Load Radius (ft.)	140 ft Jib						Load Radius (ft.)	150 ft Jib					
	Boom Angle							Boom Angle					
	88	83	78	73	68	63		88	83	78	73	68	63
30							30						
35							35						
40							40						
45							45						
50	32,600						50	32,400					
55	28,400						55	28,200					
60	25,100						60	25,100					
65	22,500	21,400					65	22,500					
70	20,300	19,600					70	20,300	19,200				
75	18,300	17,600					75	18,300	17,600				
80	16,800	16,100					80	16,500	16,100				
85	15,400	14,800	13,900				85	15,200	14,800	13,700			
90	14,100	13,700	13,000				90	13,900	13,400	12,800			
95	13,000	12,600	11,900				95	12,800	12,300	11,700			
100	11,900	11,500	11,000	10,400			100	11,900	11,500	10,800			
105	11,000	10,800	10,100	9,500			105	11,000	10,600	9,900	9,500		
110	10,400	9,900	9,500	8,800			110	10,100	9,900	9,300	8,800		
115	9,700	9,300	8,600	8,200	7,700		115	9,500	9,000	8,600	7,900		
120	9,000	8,600	8,200	7,500	7,100		120	8,800	8,600	7,900	7,500	6,800	
125	8,400	8,200	7,500	7,100	6,400		125	8,200	7,900	7,500	6,800	6,400	
130	7,900	7,500	7,100	6,600	6,000	5,500	130	7,700	7,500	6,800	6,400	5,700	
135	7,300	7,100	6,600	6,000	5,500	5,100	135	7,300	6,800	6,400	6,000	5,300	4,900
140	6,800	6,600	6,200	5,500	5,100	4,600	140	6,800	6,400	6,000	5,500	4,900	4,400
145		6,200	5,700	5,100	4,600	4,200	145	6,400	6,000	5,500	5,100	4,400	4,000
150			5,300	4,900	4,200	3,700	150	6,000	5,700	5,100	4,600	4,200	3,700
155				4,400	4,000	3,500	155		5,300	4,900	4,200	3,700	3,300
160					3,500	3,100	160			4,400	4,000	3,500	3,100
165							165				3,500	3,100	
170							170						

# CK1000-III Luffing Jib Rated Loads in Pounds

3 Counterweights + 2 Low Weights - Crawlers fully extended

65' Boom							65' Boom						
Load Radius (ft.)	160 ft Jib						Load Radius (ft.)	170 ft Jib					
	Boom Angle							Boom Angle					
	88	83	78	73	68	63		88	83	78	73	68	63
30							30						
35							35						
40							40						
45							45						
50							50						
55	28,000						55	27,800					
60	24,700						60	24,500					
65	22,000						65	21,800					
70	19,800						70	19,600					
75	17,900	17,200					75	17,600	16,800				
80	16,300	15,700					80	16,100	15,400				
85	15,000	14,300					85	14,800	14,100				
90	13,700	13,200	12,100				90	13,400	13,000				
95	12,600	12,100	11,500				95	12,300	11,900	10,800			
100	11,500	11,200	10,600				100	11,200	11,000	10,100			
105	10,800	10,400	9,700				105	10,400	10,100	9,500			
110	9,900	9,500	9,000	8,400			110	9,700	9,300	8,600			
115	9,300	8,800	8,200	7,700			115	8,800	8,600	7,900	7,300		
120	8,600	8,200	7,700	7,100			120	8,400	7,900	7,500	6,800		
125	7,900	7,700	7,100	6,400	6,000		125	7,700	7,500	6,800	6,200		
130	7,500	7,100	6,600	6,000	5,300		130	7,100	6,800	6,200	5,700	5,100	
135	6,800	6,600	6,200	5,500	4,900		135	6,600	6,400	5,700	5,300	4,600	
140	6,400	6,200	5,500	5,100	4,400	4,000	140	6,200	6,000	5,300	4,600	4,200	
145	6,000	5,700	5,100	4,600	4,200	3,500	145	5,700	5,500	4,900	4,400	3,700	
150	5,500	5,300	4,900	4,200	3,700	3,300	150		5,100	4,400	4,000	3,500	
155		4,900	4,400	4,000	3,300		155		4,600	4,200	3,500	3,100	
160		4,400	4,000	3,500	3,100		160		4,200	3,700	3,300		
165		4,200	3,700	3,300			165			3,300			
170			3,300				170			3,100			

75' Boom							75' Boom						
Load Radius (ft.)	50 ft Jib						Load Radius (ft.)	60 ft Jib					
	Boom Angle							Boom Angle					
	88	83	78	73	68	63		88	83	78	73	68	63
22							22						
24	72,800 *						24						
26	67,300 *						26	67,000 *					
28	62,500 *						28	62,000 *					
30	58,300 *						30	58,100 *					
35	49,500 *	49,500 *					35	49,300 *					
40	43,400 *	43,400 *					40	43,100 *	43,100 *				
45	38,500 *	37,900	36,400				45	38,300 *	37,900				
50	33,500 *	33,100	32,000				50	34,000	33,100	31,300			
55	28,000 *	29,100	28,000	27,100			55	29,800	28,900	27,800			
60		26,000	25,100	24,300			60	26,400 *	25,800	24,900	23,800		
65			22,700	21,800	20,900		65	22,600 *	23,400	22,300	21,600		
70				19,800	19,200		70		21,200	20,300	19,600	18,500	
75				18,100	17,400	16,500	75			18,500	17,900	17,000	
80					15,900	15,400	80				16,300	15,700	15,000
85						14,100	85				15,000	14,300	13,900
90							90					13,200	12,800
95							95						11,700
100							100						
105							105						
110							110						
115							115						
120							120						
125							125						
130							130						
135							135						

# CK1000-III Luffing Jib Rated Loads in Pounds

3 Counterweights + 2 Low Weights - Crawlers fully extended

75' Boom							75' Boom						
Load Radius (ft.)	70 ft Jib						Load Radius (ft.)	80 ft Jib					
	Boom Angle							Boom Angle					
	88	83	78	73	68	63		88	83	78	73	68	63
22							30						
24							35	49,100 *					
26							40	42,700 *					
28							45	38,100 *	37,000				
30	58,100 *						50	33,700	32,400				
35	49,300 *						55	29,500	28,400				
40	43,100 *						60	26,200	25,400	24,500			
45	38,300 *	37,500					65	23,800	22,900	22,000			
50	34,000 *	32,800					70	21,600	20,700	19,800	18,700		
55	29,800	28,700	27,600				75	19,600	18,700	18,100	17,200		
60	26,700	25,600	24,700				80	17,900	17,200	16,500	15,900		
65	24,000	23,100	22,000	21,200			85	16,100 *	15,900	15,200	14,600	13,900	
70	21,800 *	20,900	20,100	19,400			90			14,100	13,400	12,800	
75	18,700 *	19,200	18,300	17,600			95			13,000	12,300	11,700	11,200
80		17,600	16,800	16,100	15,400		100				11,500	11,000	10,400
85			15,400	15,000	14,100		105					10,100	9,700
90				13,900	13,200	12,600	110					9,500	9,000
95				12,800	12,100	11,500	115						8,400
100					11,200	10,800	120						
105						9,900	125						
110							130						
115							135						
120							140						
125							145						
130							150						
135							155						

75' Boom							75' Boom						
Load Radius (ft.)	90 ft Jib						Load Radius (ft.)	100 ft Jib					
	Boom Angle							Boom Angle					
	88	83	78	73	68	63		88	83	78	73	68	63
30							30						
35	48,900 *						35						
40	42,500 *						40	42,500 *					
45	37,900 *						45	37,700 *					
50	33,500	32,000					50	33,300					
55	29,300	28,200					55	29,100	27,800				
60	26,000	25,100					60	26,000	24,700				
65	23,600	22,700	21,400				65	23,400	22,300				
70	21,400	20,500	19,600				70	21,200	20,100	19,400			
75	19,400	18,500	17,900	17,000			75	19,200	18,300	17,400			
80	17,600	17,000	16,300	15,700			80	17,600	16,800	16,100	15,200		
85	16,300	15,700	15,000	14,300			85	16,300	15,400	14,800	13,900		
90	15,200	14,600	13,900	13,200	12,600		90	15,000	14,100	13,700	12,800		
95		13,400	12,800	12,100	11,500		95	13,900	13,000	12,600	11,900	11,000	
100		12,600	11,900	11,200	10,800	10,100	100	12,800	12,100	11,700	11,000	10,400	
105			11,200	10,600	9,900	9,500	105		11,200	10,800	10,100	9,500	
110				9,900	9,300	8,800	110		10,600	10,100	9,500	8,800	8,400
115					8,600	8,200	115			9,500	8,800	8,400	7,700
120					8,200	7,500	120				8,200	7,700	7,300
125						7,100	125					7,300	6,600
130							130					6,800	6,200
135							135						5,700
140							140						
145							145						
150							150						
155							155						

# CK1000-III Luffing Jib Rated Loads in Pounds

3 Counterweights + 2 Low Weights - Crawlers fully extended

75' Boom							75' Boom						
Load Radius (ft.)	110 ft Jib						Load Radius (ft.)	120 ft Jib					
	Boom Angle							Boom Angle					
	88	83	78	73	68	63		88	83	78	73	68	63
30							30						
35							35						
40	42,500 *						40						
45	37,700 *						45	37,200 *					
50	33,300						50	33,100					
55	29,100	27,800					55	28,900					
60	26,000	24,700					60	25,600	24,700				
65	23,400	22,300					65	22,900	22,000				
70	21,200	20,100	19,000				70	20,700	20,100				
75	19,200	18,100	17,400				75	18,700	18,100	16,800			
80	17,600	16,500	15,900				80	17,200	16,500	15,700			
85	16,100	15,200	14,600	13,900			85	15,900	15,200	14,300			
90	15,000	14,100	13,400	12,800			90	14,600	14,100	13,200	12,300		
95	13,700	13,000	12,600	11,700			95	13,400	12,800	12,100	11,500		
100	12,800	12,100	11,500	10,800	10,100		100	12,600	11,900	11,200	10,600		
105	11,900	11,200	10,800	10,100	9,500		105	11,700	11,000	10,400	9,700	9,000	
110	11,200	10,600	10,100	9,500	8,800		110	10,800	10,400	9,700	9,000	8,400	
115		9,700	9,300	8,800	8,200	7,700	115	10,100	9,700	9,000	8,400	7,700	
120		9,300	8,800	8,200	7,700	7,100	120	9,500	9,000	8,400	7,900	7,300	6,600
125			8,200	7,700	7,100	6,600	125		8,400	7,900	7,300	6,800	6,200
130				7,300	6,600	6,200	130		7,900	7,500	6,800	6,200	5,700
135					6,200	5,700	135			6,800	6,400	5,700	5,300
140						5,300	140				6,000	5,300	4,900
145						4,900	145					5,100	4,400
150							150						4,200
155							155						3,700
160							160						
165							165						

75' Boom							75' Boom						
Load Radius (ft.)	130 ft Jib						Load Radius (ft.)	140 ft Jib					
	Boom Angle							Boom Angle					
	88	83	78	73	68	63		88	83	78	73	68	63
30							30						
35							35						
40							40						
45	37,000 *						45						
50	32,800						50	32,400					
55	28,700						55	28,200					
60	25,400						60	25,100					
65	22,700	21,600					65	22,500	21,200				
70	20,500	19,800					70	20,300	19,400				
75	18,500	17,900					75	18,300	17,400				
80	17,000	16,300	15,400				80	16,800	15,900				
85	15,700	15,000	14,100				85	15,200	14,600	13,400			
90	14,300	13,700	13,000				90	14,100	13,400	12,600			
95	13,200	12,600	11,900	11,000			95	13,000	12,300	11,500			
100	12,300	11,700	11,000	10,400			100	11,900	11,500	10,600	9,900		
105	11,500	10,800	10,100	9,500			105	11,000	10,600	9,900	9,000		
110	10,600	10,100	9,500	8,800			110	10,400	9,900	9,000	8,400		
115	9,900	9,500	8,800	8,200	7,500		115	9,500	9,000	8,400	7,700		
120	9,300	8,800	8,200	7,500	6,800		120	8,800	8,600	7,900	7,300	6,400	
125	8,600	8,200	7,700	7,100	6,400		125	8,400	7,900	7,300	6,600	6,000	
130	8,200	7,700	7,100	6,600	6,000	5,300	130	7,700	7,500	6,800	6,200	5,500	
135		7,300	6,600	6,200	5,500	4,900	135	7,300	6,800	6,400	5,700	5,100	4,400
140			6,200	5,700	5,100	4,400	140	6,800	6,400	6,000	5,300	4,600	4,000
145			5,700	5,300	4,600	4,200	145		6,000	5,500	4,900	4,200	3,700
150				4,900	4,400	3,700	150			5,100	4,400	4,000	3,300
155					4,000	3,500	155			4,600	4,200	3,500	3,100
160						3,100	160				3,700	3,300	
165							165						
							170						

# CK1000-III Luffing Jib Rated Loads in Pounds

3 Counterweights + 2 Low Weights - Crawlers fully extended

75' Boom							160 ft Jib						
Load Radius (ft.)	150 ft Jib						Load Radius (ft.)	160 ft Jib					
	Boom Angle							Boom Angle					
	88	83	78	73	68	63	88	83	78	73	68	63	
30							30						
35							35						
40							40						
45							45						
50	32,400						50						
55	28,200						55	27,800					
60	24,900						60	24,700					
65	22,300						65	22,000					
70	20,100	19,000					70	19,800					
75	18,100	17,400					75	17,900	17,000				
80	16,500	15,900					80	16,300	15,400				
85	15,200	14,600					85	14,800	14,100				
90	13,900		12,100				90	13,700	13,000				
95	12,800	12,100	11,500				95	12,600	11,900	11,000			
100	11,900	11,200	10,600				100	11,500	11,000	10,100			
105	11,000	10,400	9,700	9,000			105	10,600	10,100	9,500			
110	10,100	9,700	9,000	8,400			110	9,900	9,500	8,600	7,900		
115	9,500	9,000	8,400	7,700			115	9,000	8,600	7,900	7,300		
120	8,800	8,400	7,700	7,100			120	8,400	8,200	7,500	6,600		
125	8,200	7,700	7,300	6,600	5,700		125	7,900	7,500	6,800	6,200		
130	7,700	7,300	6,600	6,000	5,300		130	7,300	7,100	6,400	5,500	4,900	
135	7,300	6,800	6,200	5,500	4,900		135	6,800	6,600	5,700	5,100	4,400	
140	6,600	6,400	5,700	5,100	4,400	4,000	140	6,400	6,000	5,300	4,600	4,000	
145	6,400	6,000	5,300	4,600	4,200	3,500	145	6,000	5,500	4,900	4,200	3,700	
150	6,000	5,500	4,900	4,400	3,700	3,100	150	5,500	5,100	4,400	4,000	3,300	
155		5,100	4,600	4,000	3,300		155		4,900	4,200	3,500	3,100	
160			4,200	3,500	3,100		160		4,400	3,700	3,300		
165			4,000	3,300			165		4,000	3,500			
170				3,100			170			3,100			

75' Boom							85' Boom						
Load Radius (ft.)	170 ft Jib						Load Radius (ft.)	50 ft Jib					
	Boom Angle							Boom Angle					
	88	83	78	73	68	63	88	83	78	73	68	63	
30							22						
35							24						
40							26	67,100 *					
45							28	62,300 *					
50							30	58,100 *					
55	27,600						35	49,300 *	49,300 *				
60	24,500						40	43,200 *	43,200 *				
65	21,800						45	38,300 *	37,700				
70	19,600						50	33,900 *	32,800	31,500			
75	17,600						55	29,100 *	28,900	27,800			
80	16,100	15,200					60		25,800	24,700	23,800		
85	14,600	13,900					65			22,300	21,400		
90	13,400	12,800					70			20,300	19,400	18,500	
95	12,300	11,700					75				17,600	17,000	
100	11,200	10,800	9,900				80					15,400	14,800
105	10,400	9,900	9,000				85					14,300	13,700
110	9,700	9,300	8,400				90						12,600
115	8,800	8,400	7,700	6,800			95						
120	8,200	7,900	7,100	6,400			100						
125	7,700	7,300	6,600	5,700			105						
130	7,100	6,800	6,000	5,300			110						
135	6,600	6,200	5,500	4,900	4,200		115						
140	6,200	5,700	5,100	4,400	3,700		120						
145	5,700	5,300	4,600	4,000	3,300		125						
150		4,900	4,200	3,500	3,100		130						
155		4,400	3,700	3,300			135						
160		4,200	3,500										
165		3,700	3,100										
170													

# CK1000-III Luffing Jib Rated Loads in Pounds

3 Counterweights + 2 Low Weights - Crawlers fully extended

85' Boom							85' Boom						
Load Radius (ft.)	60 ft Jib						Load Radius (ft.)	70 ft Jib					
	Boom Angle							Boom Angle					
	88	83	78	73	68	63		88	83	78	73	68	63
22							22						
24							24						
26	66,600 *						26						
28	62,100 *						28						
30	57,900 *						30	57,900 *					
35	49,100 *						35	49,100 *					
40	42,900 *	43,200 *					40	42,900 *					
45	38,100 *	37,500					45	38,100 *	37,000				
50	34,000	32,600					50	34,000	32,400				
55	29,800	28,700	27,300				55	29,800	28,400	26,900			
60	26,400 *	25,600	24,500				60	26,700	25,400	24,300			
65	22,900 *	23,100	22,000	20,900			65	24,000	22,900	21,800			
70		20,900	20,100	19,200	16,300		70	21,800 *	20,900	19,800	18,700		
75			18,100	17,400	15,200		75	19,400 *	19,000	17,900	17,200		
80			16,800	15,900	13,900	13,200	80		17,400	16,500	15,700	14,800	
85				14,800	12,800	12,100	85			15,200	14,600	13,700	
90					11,900	11,200	90			14,100	13,400	12,600	
95						10,400	95				12,300	11,700	11,000
100							100					10,800	10,100
105							105					10,100	9,500
110							110						8,800
115							115						
120							120						
125							125						
130							130						
135							135						

85' Boom							85' Boom						
Load Radius (ft.)	80 ft Jib						Load Radius (ft.)	90 ft Jib					
	Boom Angle							Boom Angle					
	88	83	78	73	68	63		88	83	78	73	68	63
30							30						
35	48,700 *						35	48,400 *					
40	42,700 *						40	42,500 *					
45	37,700 *						45	37,500 *					
50	33,700	32,200					50	33,500	31,700				
55	29,500	28,200					55	29,300	28,000				
60	26,200	25,100	24,000				60	26,000	24,900				
65	23,600	22,700	21,600				65	23,400	22,500	20,900			
70	21,400	20,500	19,600				70	21,200	20,300	19,400			
75	19,400	18,500	17,900	16,800			75	19,200	18,300	17,600			
80	17,900	17,000	16,300	15,400			80	17,600	16,800	16,100	15,200		
85	16,200 *	15,700	15,000	14,100			85	16,300	15,400	14,800	13,900		
90		14,600	13,900	13,000	12,300		90	15,000	14,300	13,700	12,800		
95			12,800	12,100	11,200		95	13,900	13,200	12,600	11,900	11,000	
100			11,900	11,200	10,600	9,900	100		12,300	11,700	11,000	10,100	
105				10,400	9,700	9,000	105			11,000	10,100	9,500	8,800
110					9,000	8,600	110			10,100	9,500	8,800	8,200
115						7,900	115				8,800	8,200	7,700
120						7,300	120					7,700	7,100
125							125						6,600
130							130						6,200
135							135						
140							140						
145							145						
150							150						
155							155						

# CK1000-III Luffing Jib Rated Loads in Pounds

3 Counterweights + 2 Low Weights - Crawlers fully extended

85' Boom							85' Boom						
Load Radius (ft.)	100 ft Jib						Load Radius (ft.)	110 ft Jib					
	Boom Angle							Boom Angle					
	88	83	78	73	68	63		88	83	78	73	68	63
30							30						
35							35						
40	42,500 *						40	42,300 *					
45	37,500 *						45	37,500 *					
50	33,300						50	33,300					
55	29,100	27,600					55	29,100					
60	26,000	24,500					60	25,800	24,700				
65	23,400	22,000					65	23,400	22,300				
70	21,200	19,800	18,700				70	21,200	20,100				
75	19,200	18,100	17,200				75	19,200	18,300	17,000			
80	17,600	16,500	15,700				80	17,400	16,800	15,700			
85	16,100	15,200	14,600	13,400			85	16,100	15,400	14,300			
90	15,000	14,100	13,200	12,300			90	14,800	14,100	13,200	12,300		
95	13,900	13,000	12,300	11,500			95	13,700	13,000	12,100	11,200		
100	12,800	11,900	11,500	10,600	9,900		100	12,800	12,100	11,200	10,600		
105		11,200	10,600	9,900	9,000		105	11,900	11,200	10,600	9,700	9,000	
110		10,400	9,900	9,300	8,600		110	11,000	10,600	9,900	9,000	8,400	
115			9,300	8,600	7,900	7,100	115		9,900	9,000	8,400	7,700	
120				7,900	7,300	6,600	120		9,300	8,600	7,900	7,300	6,400
125				7,500	6,800	6,200	125			7,900	7,300	6,600	6,000
130					6,400	5,700	130				6,800	6,200	5,500
135						5,300	135				6,400	5,700	5,100
140						4,900	140					5,300	4,900
145							145						4,400
150							150						4,000
155							155						
160							160						
165							165						

85' Boom							85' Boom						
Load Radius (ft.)	120 ft Jib						Load Radius (ft.)	130 ft Jib					
	Boom Angle							Boom Angle					
	88	83	78	73	68	63		88	83	78	73	68	63
30							30						
35							35						
40							40						
45	37,000 *						45	36,800 *					
50	32,800						50	32,600					
55	28,700						55	28,400					
60	25,600	24,000					60	25,400					
65	22,900	21,800					65	22,700	21,400				
70	20,700	19,800					70	20,500	19,600				
75	18,700	17,900					75	18,500	17,600				
80	17,200	16,300	15,200				80	17,000	16,100				
85	15,900	15,000	14,100				85	15,700	14,800	13,400			
90	14,600	13,900	12,800				90	14,300	13,700	12,600			
95	13,400	12,800	11,900	11,000			95	13,200	12,600	11,700			
100	12,300	11,900	11,000	10,100			100	12,100	11,700	10,800	9,900		
105	11,700	11,000	10,100	9,500			105	11,200	10,800	9,900	9,000		
110	10,800	10,100	9,500	8,800	7,900		110	10,600	9,900	9,300	8,400		
115	10,100	9,500	8,800	8,200	7,300		115	9,900	9,300	8,600	7,900	7,100	
120	9,500	8,800	8,200	7,500	6,800		120	9,300	8,600	7,900	7,300	6,400	
125		8,400	7,700	7,100	6,200	5,500	125	8,600	8,200	7,500	6,600	6,000	
130		7,900	7,300	6,600	5,700	5,100	130	8,200	7,500	7,100	6,200	5,500	4,900
135			6,800	6,000	5,300	4,600	135		7,100	6,400	5,700	5,100	4,400
140				5,500	4,900	4,200	140		6,600	6,000	5,300	4,600	4,000
145				5,300	4,600	4,000	145			5,500	4,900	4,200	3,500
150					4,200	3,500	150				4,600	4,000	3,300
155						3,300	155				4,200	3,500	3,100
160							160					3,300	
165							165						

# CK1000-III Luffing Jib Rated Loads in Pounds

3 Counterweights + 2 Low Weights - Crawlers fully extended

85' Boom							85' Boom						
Load Radius (ft.)	140 ft Jib						Load Radius (ft.)	150 ft Jib					
	Boom Angle							Boom Angle					
	88	83	78	73	68	63		88	83	78	73	68	63
30							30						
35							35						
40							40						
45							45						
50	32,400						50	32,200					
55	28,200						55	28,000					
60	25,100						60	24,900					
65	22,500						65	22,300					
70	20,300	19,000					70	20,100	18,700				
75	18,300	17,200					75	18,100	17,200				
80	16,800	15,900					80	16,500	15,700				
85	15,200	14,600	13,000				85	15,200	14,300				
90	14,100	13,200	12,300				90	13,900	13,200	11,900			
95	12,800	12,100	11,200				95	12,800	12,100	11,000			
100	11,900	11,200	10,400				100	11,700	11,200	10,400			
105	11,000	10,400	9,700	8,800			105	11,000	10,400	9,500			
110	10,400	9,700	8,800	8,200			110	10,100	9,500	8,800	7,900		
115	9,500	9,000	8,200	7,500			115	9,500	8,800	8,200	7,300		
120	8,800	8,400	7,700	6,800	6,000		120	8,800	8,200	7,500	6,600		
125	8,400	7,700	7,100	6,200	5,500		125	8,200	7,700	7,100	6,200		
130	7,700	7,300	6,600	5,700	5,100		130	7,700	7,300	6,400	5,700	4,900	
135	7,300	6,800	6,200	5,300	4,600		135	7,100	6,600	6,000	5,300	4,400	
140	6,800	6,400	5,500	4,900	4,200	3,500	140	6,600	6,200	5,500	4,600	4,000	
145		6,000	5,300	4,400	3,700	3,100	145	6,200	5,700	5,100	4,400	3,700	
150		5,500	4,900	4,200	3,500		150	6,000	5,300	4,600	4,000	3,300	
155			4,400	3,700	3,100		155		5,100	4,400	3,700	3,100	
160				3,500			160			4,000	3,300		
165							165			3,700	3,100		
170							170						

85' Boom							85' Boom						
Load Radius (ft.)	160 ft Jib						Load Radius (ft.)	170 ft Jib					
	Boom Angle							Boom Angle					
	88	83	78	73	68	63		88	83	78	73	68	63
30							30						
35							35						
40							40						
45							45						
50							50						
55	27,800						55	27,600					
60	24,700						60	24,500					
65	22,000						65	21,800					
70	19,800						70	19,600					
75	17,900	16,500					75	17,600					
80	16,300	15,400					80	15,900	15,000				
85	14,800	14,100					85	14,600	13,700				
90	13,700	12,800					90	13,400	12,600				
95	12,300	11,700	10,400				95	12,100	11,500				
100	11,500	10,800	9,900				100	11,200	10,600	9,700			
105	10,600	9,900	9,000				105	10,400	9,700	8,800			
110	9,900	9,300	8,400				110	9,500	9,000	8,200			
115	9,000	8,600	7,700	6,800			115	8,800	8,400	7,500			
120	8,400	7,900	7,100	6,200			120	8,200	7,700	6,800	6,000		
125	7,900	7,300	6,600	5,700			125	7,700	7,100	6,200	5,300		
130	7,300	6,800	6,000	5,300			130	7,100	6,600	5,700	4,900		
135	6,800	6,400	5,500	4,900	4,000		135	6,600	6,200	5,300	4,400		
140	6,400	6,000	5,100	4,400	3,500		140	6,000	5,500	4,900	4,000		
145	6,000	5,500	4,600	4,000	3,300		145	5,500	5,100	4,400	3,500		
150	5,500	5,100	4,200	3,500			150		4,600	4,000	3,300		
155		4,600	4,000	3,300			155		4,400	3,500			
160		4,200	3,500				160		4,000	3,300			
165		4,000	3,300				165		3,700				
170			3,100				170						

# CK1000-III Luffing Jib Rated Loads in Pounds

3 Counterweights + 2 Low Weights - Crawlers fully extended

95' Boom							95' Boom						
Load Radius (ft.)	50 ft Jib						Load Radius (ft.)	60 ft Jib					
	Boom Angle							Boom Angle					
	88	83	78	73	68	63		88	83	78	73	68	63
22							22						
24							24						
26	66,800 *						26						
28	62,000 *						28	61,800 *					
30	57,900 *						30	57,400 *					
35	49,000 *						35	48,800 *					
40	42,900 *	42,900 *					40	42,700 *	42,700 *				
45	38,100 *	37,500 *					45	37,900 *	37,300				
50	34,000	32,600	30,600				50	33,700	32,400				
55	29,800	28,700	27,100				55	29,500	28,400	26,900			
60		25,600	24,300	22,900			60	26,500	25,400	24,000			
65		23,100	21,800	20,900			65	23,800	22,900	21,600	20,300		
70			19,800	19,000			70		20,700	19,600	18,500		
75				17,200	16,300		75		19,000	17,900	17,000		
80				15,900	15,000		80			16,300	15,400	14,600	
85					13,700	12,800	85				14,300	13,400	
90						11,900	90				13,200	12,300	11,500
95						11,000	95					11,500	10,600
100							100						9,900
105							105						9,300
110							110						
115							115						
120							120						
125							125						
130							130						
135							135						

95' Boom							95' Boom						
Load Radius (ft.)	70 ft Jib						Load Radius (ft.)	80 ft Jib					
	Boom Angle							Boom Angle					
	88	83	78	73	68	63		88	83	78	73	68	63
22							30						
24							35	48,600 *					
26							40	42,400 *					
28							45	37,600 *					
30	57,400 *						50	33,500	31,500				
35	48,800 *						55	29,300	27,800				
40	42,700 *						60	26,200	24,900				
45	37,900 *	36,800					65	23,600	22,300	20,700			
50	34,000	32,200					70	21,400	20,300	19,200			
55	29,800	28,200					75	19,400	18,300	17,400	16,100		
60	26,500	25,100	23,800				80	17,900	17,000	15,900	14,800		
65	23,800	22,700	21,600				85	16,500	15,700	14,800	13,700		
70	21,600	20,500	19,600				90		14,300	13,700	12,600	11,700	
75	19,600	18,700	17,900	16,500			95			12,600	11,700	10,800	
80		17,200	16,300	15,200			100			11,700	10,800	9,900	
85			15,000	14,100	13,000		105				10,100	9,300	8,600
90			13,900	13,000	12,100		110				9,500	8,600	7,900
95				11,900	11,200		115					7,900	7,300
100				11,200	10,400	9,700	120						6,800
105					9,700	9,000	125						6,400
110						8,400	130						
115						7,700	135						
120							140						
125							145						
130							150						
135							155						

# CK1000-III Luffing Jib Rated Loads in Pounds

3 Counterweights + 2 Low Weights - Crawlers fully extended

95' Boom							100 ft Jib						
Load Radius (ft.)	90 ft Jib						Load Radius (ft.)	100 ft Jib					
	Boom Angle							Boom Angle					
	88	83	78	73	68	63		88	83	78	73	68	63
30							30						
35	48,400 *						35						
40	42,200 *						40	42,000 *					
45	37,400 *						45	37,400 *					
50	33,300	31,300					50	33,300					
55	29,100	27,600					55	29,100	27,300				
60	26,000	24,700					60	26,000	24,300				
65	23,400	22,000					65	23,400	21,800				
70	21,200	20,100	19,000				70	21,200	19,600	18,300			
75	19,200	18,100	17,200				75	19,200	17,900	16,800			
80	17,600	16,500	15,700				80	17,400	16,300	15,400			
85	16,300	15,200	14,600	13,400			85	16,100	15,000	14,100			
90	15,000	14,100	13,400	12,300			90	15,000	13,900	13,000	11,900		
95	13,900	13,000	12,300	11,500	10,600		95	13,700	12,800	11,900	11,000		
100		12,100	11,500	10,600	9,700		100	12,800	11,900	11,000	10,100		
105			10,600	9,900	9,000		105	11,900	11,000	10,400	9,500	8,600	
110			9,900	9,300	8,400	7,500	110		10,400	9,700	8,800	7,900	
115				8,600	7,700	7,100	115			9,000	8,200	7,300	6,400
120				7,900	7,300	6,400	120			8,400	7,700	6,800	6,000
125					6,800	6,000	125				7,100	6,400	5,500
130						5,500	130					6,000	5,100
135						5,100	135					5,500	4,600
140							140						4,200
145							145						4,000
150							150						
155							155						

95' Boom							120 ft Jib						
Load Radius (ft.)	110 ft Jib						Load Radius (ft.)	120 ft Jib					
	Boom Angle							Boom Angle					
	88	83	78	73	68	63		88	83	78	73	68	63
30							30						
35							35						
40	42,000 *						40						
45	37,200 *						45	37,000 *					
50	33,300						50	32,800					
55	29,100						55	28,700					
60	25,800	24,500					60	25,600					
65	23,100	22,000					65	22,900	21,400				
70	20,900	19,800					70	20,700	19,600				
75	19,000	18,100	16,300				75	18,700	17,600				
80	17,400	16,500	15,200				80	17,200	16,100	15,000			
85	16,100	15,200	14,100				85	15,700	14,800	13,700			
90	14,800	13,900	13,000				90	14,600	13,700	12,600			
95	13,700	12,800	11,900	10,800			95	13,400	12,600	11,500			
100	12,800	11,900	11,000	10,100			100	12,300	11,700	10,600	9,700		
105	11,900	11,200	10,100	9,500			105	11,500	10,800	9,900	9,000		
110	11,000	10,400	9,500	8,800	7,900		110	10,800	10,100	9,300	8,400		
115		9,700	8,800	8,200	7,300		115	9,900	9,500	8,600	7,700	6,800	
120		9,000	8,400	7,500	6,600		120	9,500	8,800	7,900	7,100	6,200	
125			7,700	7,100	6,200	5,300	125		8,200	7,500	6,600	5,700	
130			7,300	6,600	5,700	4,900	130		7,700	7,100	6,200	5,300	4,400
135				6,200	5,300	4,600	135			6,600	5,700	4,900	4,200
140					4,900	4,200	140			6,000	5,300	4,400	3,700
145					4,600	3,700	145				4,900	4,200	3,300
150						3,500	150					3,700	3,100
155							155					3,500	

# CK1000-III Luffing Jib Rated Loads in Pounds

3 Counterweights + 2 Low Weights - Crawlers fully extended

95' Boom							140 ft Jib						
Load Radius (ft.)	130 ft Jib						Load Radius (ft.)	140 ft Jib					
	Boom Angle							Boom Angle					
	88	83	78	73	68	63	88	83	78	73	68	63	
30							30						
35							35						
40							40						
45	36,800						45						
50	32,600						50	32,400					
55	28,400						55	28,200					
60	25,400						60	24,900					
65	22,700	20,900					65	22,500					
70	20,500	19,200					70	20,300	18,500				
75	18,500	17,400					75	18,300	17,000				
80	17,000	15,900					80	16,500	15,700				
85	15,400	14,600	13,000				85	15,200	14,300				
90	14,300	13,400	12,300				90	13,900	13,000	11,700			
95	13,200	12,300	11,200				95	12,800	11,900	10,800			
100	12,100	11,500	10,400				100	11,900	11,000	10,100			
105	11,200	10,600	9,700	8,800			105	11,000	10,400	9,300			
110	10,600	9,900	9,000	8,200			110	10,100	9,500	8,600	7,500		
115	9,700	9,000	8,400	7,300			115	9,500	8,800	7,900	6,800		
120	9,000	8,600	7,700	6,800	6,000		120	8,800	8,200	7,300	6,400		
125	8,600	7,900	7,300	6,400	5,300		125	8,200	7,700	6,800	6,000	4,900	
130	7,900	7,500	6,600	5,700	4,900		130	7,700	7,100	6,200	5,300	4,400	
135		7,100	6,200	5,300	4,600	3,700	135	7,300	6,600	5,700	4,900	4,000	
140		6,600	5,700	4,900	4,200	3,300	140	6,800	6,200	5,300	4,400	3,700	
145			5,300	4,600	3,700	3,100	145		5,700	4,900	4,200	3,300	
150			5,100	4,200	3,500		150		5,300	4,600	3,700	3,100	
155				4,000	3,100		155			4,200	3,500		
160							160				3,100		
165							165						
170							170						

95' Boom							160 ft Jib						
Load Radius (ft.)	150 ft Jib						Load Radius (ft.)	160 ft Jib					
	Boom Angle							Boom Angle					
	88	83	78	73	68	63	88	83	78	73	68	63	
30							30						
35							35						
40							40						
45							45						
50							50						
55	28,000						55	27,800					
60	24,900						60	24,500					
65	22,300						65	22,000					
70	20,100						70	19,800					
75	18,100	17,000					75	17,900	16,300				
80	16,500	15,400					80	16,100	15,200				
85	15,000	14,100					85	14,800	13,900				
90	13,900	13,000					90	13,400	12,600				
95	12,800	11,900	10,800				95	12,300	11,500				
100	11,700	11,000	9,900				100	11,500	10,600	9,500			
105	10,800	10,100	9,300				105	10,600	9,900	8,800			
110	10,100	9,500	8,400				110	9,700	9,000	8,200			
115	9,300	8,800	7,700	6,800			115	9,000	8,400	7,500			
120	8,600	8,200	7,300	6,200			120	8,400	7,700	6,800	5,700		
125	8,200	7,500	6,600	5,700			125	7,700	7,300	6,200	5,300		
130	7,500	7,100	6,200	5,300	4,400		130	7,300	6,600	5,700	4,900		
135	7,100	6,600	5,700	4,900	4,000		135	6,800	6,200	5,300	4,400		
140	6,600	6,200	5,300	4,400	3,500		140	6,400	5,700	4,900	4,000		
145	6,200	5,700	4,900	4,000	3,100		145	6,000	5,300	4,400	3,500		
150	5,700	5,300	4,400	3,500			150	5,500	4,900	4,000	3,300		
155		4,900	4,000	3,300			155		4,400	3,700			
160		4,400	3,700	3,100			160		4,200	3,300			
165			3,500				165		3,700	3,100			
170							170		3,500				

# CK1000-III Luffing Jib Rated Loads in Pounds

3 Counterweights + 2 Low Weights - Crawlers fully extended

95' Boom							105' Boom						
Load Radius (ft.)	170 ft Jib						Load Radius (ft.)	50 ft Jib					
	Boom Angle							Boom Angle					
	88	83	78	73	68	63		88	83	78	73	68	63
30							22						
35							24						
40							26						
45							28	61,900 *					
50							30	57,700 *					
55							35	48,900 *					
60	24,700						40	42,700 *	42,700				
65	22,000						45	37,900 *	37,300				
70	19,800						50	34,000	32,400				
75	17,900						55	29,800	28,400	26,700			
80	16,300	14,800					60		25,400	23,800			
85	14,800	13,400					65		22,900	21,600	20,100		
90	13,700	12,300					70			19,600	18,500		
95	12,600	11,200					75			17,600	16,800	15,400	
100	11,500	10,400	9,000				80				15,400	14,300	
105	10,600	9,700	8,600				85					13,200	
110	9,900	8,800	7,700				90					12,300	11,200
115	9,000	8,200	7,100				95						10,600
120	8,400	7,500	6,400				100						9,700
125	7,900	7,100	6,000	4,900			105						
130	7,300	6,400	5,500	4,400			110						
135	6,800	6,000	4,900	4,000			115						
140		5,500	4,400	3,500			120						
145		5,100	4,200	3,300			125						
150		4,600	3,700				130						
155		4,200	3,300				135						
160		3,700	3,100										
165		3,500											

105' Boom							105' Boom						
Load Radius (ft.)	60 ft Jib						Load Radius (ft.)	70 ft Jib					
	Boom Angle							Boom Angle					
	88	83	78	73	68	63		88	83	78	73	68	63
22							22						
24							24						
26							26						
28	61,600 *						28						
30	57,500 *						30	50,000 *					
35	48,700 *						35	48,700 *					
40	42,300 *						40	42,500 *					
45	37,700 *	36,400					45	37,700 *	36,400				
50	33,700	32,200					50	33,700	32,000				
55	29,500	28,200	26,000				55	29,500	28,000				
60	26,500	25,100	23,600				60	26,500	24,900	23,400			
65	23,800	22,700	21,200				65	23,800	22,500	21,200			
70		20,500	19,200	17,900			70	21,600	20,300	19,200			
75		18,700	17,400	16,300			75	19,600	18,500	17,400	15,900		
80			16,100	15,000			80		17,000	16,100	14,800		
85			14,800	13,900	12,600		85		15,700	14,800	13,700		
90				12,800	11,900		90			13,700	12,600	11,700	
95					11,000	10,100	95				11,700	10,600	
100					10,100	9,300	100				10,800	9,900	9,000
105						8,600	105					9,300	8,400
110						8,200	110					8,600	7,700
115							115						7,300
120							120						6,600
125							125						
130							130						
135							135						

# CK1000-III Luffing Jib Rated Loads in Pounds

3 Counterweights + 2 Low Weights - Crawlers fully extended

105' Boom							105' Boom						
Load Radius (ft.)	80 ft Jib						Load Radius (ft.)	90 ft Jib					
	Boom Angle							Boom Angle					
	88	83	78	73	68	63		88	83	78	73	68	63
30							30						
35	48,200 *						35	48,000 *					
40	42,100 *						40	41,900 *					
45	37,300 *						45	37,000 *					
50	33,500	31,300					50	33,300					
55	29,300	27,600					55	29,100	27,300				
60	26,200	24,500					60	26,000	24,300				
65	23,600	22,000	20,300				65	23,400	21,800				
70	21,400	20,100	18,700				70	21,200	19,800	18,100			
75	19,400	18,100	17,000				75	19,200	17,900	16,800			
80	17,900	16,800	15,700	14,300			80	17,600	16,500	15,400			
85	16,300	15,400	14,300	13,200			85	16,100	15,200	14,100	13,000		
90		14,100	13,200	12,100			90	15,000	13,900	13,000	11,900		
95		13,000	12,300	11,200	10,400		95	13,900	12,800	12,100	11,000		
100			11,500	10,400	9,500		100		11,900	11,200	10,100	9,300	
105				9,700	8,800		105		11,200	10,400	9,500	8,600	
110				9,000	8,200	7,300	110			9,700	8,800	7,900	
115					7,700	6,600	115				8,200	7,300	6,400
120					7,100	6,200	120				7,700	6,800	6,000
125						5,700	125					6,400	5,500
130						5,300	130					5,700	5,100
135							135						4,600
140							140						
145							145						
150							150						
155							155						

105' Boom							105' Boom						
Load Radius (ft.)	100 ft Jib						Load Radius (ft.)	110 ft Jib					
	Boom Angle							Boom Angle					
	88	83	78	73	68	63		88	83	78	73	68	63
30							30						
35							35						
40	41,900 *						40	41,600 *					
45	37,000 *						45	37,000 *					
50	33,300						50	33,100					
55	29,100	26,900					55	28,900					
60	25,800	24,000					60	25,800	24,000				
65	23,100	21,600					65	23,100	21,600				
70	20,900	19,400					70	20,900	19,600				
75	19,000	17,600	16,300				75	19,000	17,900				
80	17,400	16,100	15,000				80	17,400	16,300	15,000			
85	16,100	14,800	13,700				85	16,100	15,000	13,700			
90	14,800	13,700	12,800	11,500			90	14,800	13,900	12,600			
95	13,700	12,600	11,700	10,600			95	13,700	12,800	11,700	10,600		
100	12,800	11,700	10,800	9,700			100	12,600	11,900	10,800	9,700		
105	11,900	10,800	10,100	9,000	8,200		105	11,900	11,000	9,900	9,000		
110		10,100	9,500	8,400	7,500		110	11,000	10,400	9,300	8,400	7,300	
115			8,800	7,900	6,800		115		9,500	8,600	7,700	6,600	
120			8,200	7,300	6,400	5,300	120		9,000	8,200	7,300	6,200	
125				6,800	5,700	4,900	125			7,500	6,600	5,700	
130				6,200	5,300	4,400	130			7,100	6,200	5,300	4,400
135					5,100	4,200	135				5,700	4,900	4,000
140					4,600	3,700	140				5,300	4,400	3,700
145						3,500	145					4,200	3,300
150							150					3,700	3,100
155							155						

# CK1000-III Luffing Jib Rated Loads in Pounds

3 Counterweights + 2 Low Weights - Crawlers fully extended

105' Boom							130' Jib						
Load Radius (ft.)	120 ft Jib						Load Radius (ft.)	130 ft Jib					
	Boom Angle							Boom Angle					
	88	83	78	73	68	63		88	83	78	73	68	63
30							30						
35							35						
40							40						
45	36,600 *						45						
50	32,800						50	32,600					
55	28,700						55	28,400					
60	25,600						60	25,100					
65	22,900	20,900					65	22,700					
70	20,700	19,200					70	20,500	19,000				
75	18,700	17,400					75	18,500	17,200				
80	17,000	15,900					80	16,800	15,700				
85	15,700	14,600	13,000				85	15,400	14,300	12,800			
90	14,600	13,400	12,300				90	14,300	13,200	11,900			
95	13,200	12,300	11,200				95	13,000	12,100	11,000			
100	12,300	11,500	10,400	9,300			100	12,100	11,200	10,100			
105	11,500	10,600	9,700	8,600			105	11,200	10,400	9,500	8,400		
110	10,800	9,900	9,000	7,900			110	10,600	9,700	8,600	7,500		
115	9,900	9,300	8,400	7,300			115	9,700	9,000	7,900	7,100		
120	9,300	8,600	7,700	6,600	5,700		120	9,000	8,400	7,500	6,400		
125		8,200	7,300	6,200	5,300		125	8,600	7,900	6,800	6,000	4,900	
130		7,500	6,600	5,700	4,900		130	7,900	7,300	6,400	5,500	4,400	
135			6,200	5,300	4,400	3,500	135		6,800	6,000	5,100	4,000	
140			5,700	4,900	4,000	3,100	140		6,400	5,500	4,600	3,700	
145				4,400	3,700		145			5,100	4,200	3,300	
150				4,200	3,300		150			4,600	4,000	3,100	
155					3,100		155				3,500		
160							160				3,300		

105' Boom							150' Jib						
Load Radius (ft.)	140 ft Jib						Load Radius (ft.)	150 ft Jib					
	Boom Angle							Boom Angle					
	88	83	78	73	68	63		88	83	78	73	68	63
30							30						
35							35						
40							40						
45							45						
50	32,200						50						
55	28,000						55	28,000					
60	24,900						60	24,700					
65	22,300						65	22,300					
70	20,100	18,300					70	20,100					
75	18,100	16,800					75	18,100	16,800				
80	16,500	15,400					80	16,300	15,200				
85	15,200	14,100					85	15,000	13,900				
90	13,900	12,800	11,200				90	13,900	12,800				
95	12,800	11,900	10,600				95	12,600	11,700	10,100			
100	11,900	11,000	9,700				100	11,700	10,800	9,700			
105	11,000	10,100	9,000				105	10,800	9,900	8,800			
110	10,100	9,500	8,400	7,100			110	10,100	9,300	8,200			
115	9,500	8,600	7,700	6,400			115	9,300	8,600	7,500	6,400		
120	8,800	8,200	7,100	6,000			120	8,600	7,900	6,800	5,700		
125	8,200	7,500	6,600	5,500			125	8,200	7,500	6,400	5,300		
130	7,700	7,100	6,000	5,100	4,000		130	7,500	6,800	6,000	4,900		
135	7,300	6,600	5,500	4,600	3,500		135	7,100	6,400	5,300	4,400	3,500	
140	6,600	6,000	5,100	4,200	3,300		140	6,600	6,000	4,900	4,000	3,100	
145		5,700	4,600	3,700			145	6,200	5,500	4,600	3,500		
150		5,300	4,400	3,500			150	5,700	5,100	4,200	3,300		
155			4,000	3,100			155		4,600	3,700			
160			3,700				160		4,400	3,500			
165							165			3,300			

# CK1000-III Luffing Jib Rated Loads in Pounds

3 Counterweights + 2 Low Weights - Crawlers fully extended

115' Boom							115' Boom						
Load Radius (ft.)	50 ft Jib						Load Radius (ft.)	60 ft Jib					
	Boom Angle							Boom Angle					
	88	83	78	73	68	63		88	83	78	73	68	63
22							22						
24							24						
26							26						
28	61,600 *						28						
30	57,500 *						30	50,000 *					
35	48,700 *						35	48,700 *					
40	42,500 *	42,500					40	42,500 *					
45	37,700 *	36,800					45	37,700 *	35,900				
50	33,800 *	32,200					50	33,800	31,700				
55	29,800	28,200	26,200				55	29,800	27,800				
60		25,100	23,400				60	26,500	24,900	23,100			
65		22,700	21,200				65	23,800	22,500	20,900			
70			19,200	17,600			70		20,300	19,000			
75			17,400	16,300			75		18,500	17,200	15,900		
80				15,000	13,700		80			15,900	14,600		
85				13,700	12,800		85			14,600	13,400	12,100	
90					11,700		90				12,300	11,200	
95					10,800	9,900	95				11,500	10,400	
100						9,300	100					9,700	8,600
105						8,600	105					9,000	7,900
110							110						7,500
115							115						6,800
120							120						
125							125						
130							130						
135							135						

115' Boom							115' Boom						
Load Radius (ft.)	70 ft Jib						Load Radius (ft.)	80 ft Jib					
	Boom Angle							Boom Angle					
	88	83	78	73	68	63		88	83	78	73	68	63
22							22						
24							24						
26							26						
28							28						
30	50,000 *						30						
35	48,400 *						35	48,200 *					
40	42,300 *						40	42,100 *					
45	37,500 *						45	37,300 *					
50	33,600	31,500					50	33,200	30,900				
55	29,500	27,600					55	29,100	27,300				
60	26,500	24,700					60	26,000	24,300				
65	23,800	22,300	20,300				65	23,400	21,800				
70	21,600	20,100	18,700				70	21,200	19,800	18,300			
75	19,600	18,300	17,000				75	19,200	17,900	16,800			
80		16,800	15,700	14,300			80	17,600	16,500	15,200			
85		15,400	14,300	13,200			85	16,300	15,200	14,100	12,600		
90			13,200	12,100			90		14,100	13,000	11,700		
95			12,300	11,200	10,100		95		13,000	11,900	10,800		
100				10,400	9,500		100			11,000	10,100	9,000	
105				9,700	8,800	7,700	105			10,400	9,300	8,400	
110					8,200	7,100	110				8,600	7,700	
115					7,500	6,600	115				8,200	7,100	6,000
120						6,200	120					6,600	5,500
125						5,700	125					6,200	5,100
130							130						4,900
135							135						4,400

# CK1000-III Luffing Jib Rated Loads in Pounds

3 Counterweights + 2 Low Weights - Crawlers fully extended

115' Boom							100' Boom						
Load Radius (ft.)	90 ft Jib						Load Radius (ft.)	100 ft Jib					
	Boom Angle							Boom Angle					
	88	83	78	73	68	63		88	83	78	73	68	63
22							22						
24							24						
26							26						
28							28						
30							30						
35	48,000 *						35						
40	41,800 *						40	41,800 *					
45	37,000 *						45	37,000 *					
50	33,000						50	33,000					
55	28,900	26,900					55	28,900					
60	25,800	24,000					60	25,800	24,000				
65	23,100	21,600					65	23,100	21,600				
70	20,900	19,600	17,600				70	20,900	19,400				
75	19,000	17,600	16,300				75	19,000	17,600	15,700			
80	17,400	16,300	15,000				80	17,400	16,100	14,600			
85	16,100	15,000	13,900				85	16,100	14,800	13,400			
90	14,800	13,900	12,800	11,500			90	14,800	13,700	12,300			
95	13,700	12,800	11,700	10,600			95	13,700	12,600	11,500	10,100		
100		11,900	10,800	9,700			100	12,800	11,700	10,600	9,500		
105		11,000	10,100	9,000	7,900		105	11,900	10,800	9,700	8,600		
110			9,500	8,400	7,300		110		10,100	9,000	7,900	6,800	
115			8,800	7,900	6,800		115		9,500	8,400	7,500	6,200	
120				7,300	6,200	5,300	120			7,900	6,800	5,700	
125				6,800	5,700	4,900	125			7,300	6,400	5,300	4,200
130					5,300	4,400	130				6,000	4,900	4,000
135					4,900	4,000	135				5,500	4,400	3,500
140						3,700	140					4,200	3,300

115' Boom							100' Boom						
Load Radius (ft.)	90 ft Jib						Load Radius (ft.)	100 ft Jib					
	Boom Angle							Boom Angle					
	88	83	78	73	68	63		88	83	78	73	68	63
22							22						
24							24						
26							26						
28							28						
30							30						
35	48,000 *						35						
40	41,800 *						40	41,800 *					
45	37,000 *						45	37,000 *					
50	33,000						50	33,000					
55	28,900	26,900					55	28,900					
60	25,800	24,000					60	25,800	24,000				
65	23,100	21,600					65	23,100	21,600				
70	20,900	19,600	17,600				70	20,900	19,400				
75	19,000	17,600	16,300				75	19,000	17,600	15,700			
80	17,400	16,300	15,000				80	17,400	16,100	14,600			
85	16,100	15,000	13,900				85	16,100	14,800	13,400			
90	14,800	13,900	12,800	11,500			90	14,800	13,700	12,300			
95	13,700	12,800	11,700	10,600			95	13,700	12,600	11,500	10,100		
100		11,900	10,800	9,700			100	12,800	11,700	10,600	9,500		
105		11,000	10,100	9,000	7,900		105	11,900	10,800	9,700	8,600		
110			9,500	8,400	7,300		110		10,100	9,000	7,900	6,800	
115			8,800	7,900	6,800		115		9,500	8,400	7,500	6,200	
120				7,300	6,200	5,300	120			7,900	6,800	5,700	
125				6,800	5,700	4,900	125			7,300	6,400	5,300	4,200
130					5,300	4,400	130				6,000	4,900	4,000
135					4,900	4,000	135				5,500	4,400	3,500
140						3,700	140					4,200	3,300

# Rated Loads in Pounds for CK1000-III Crane Boom with Luffing Jib Attached but not Used

**LUFFING JIB ATTACHED TO BOOM AT 23 DEGREE OFFSET ANGLE**

3 Counterweights + 2 Low Weights - Crawlers fully extended

## 55' Boom

Load Radius (ft.)	Boom Angle (deg)	Jib Length (ft)												
		50	60	70	80	90	100	110	120	130	140	150	160	170
15	82.0	90,000	90,000	88,400	82,200	76,200	74,900	73,600	67,000	60,800	53,300	47,800	39,600	32,100
16	80.9	90,000	90,000	88,400	82,200	76,200	74,900	73,600	67,000	60,800	53,300	47,800	39,600	32,100
17	79.8	90,000	90,000	88,400	82,200	76,200	74,900	73,600	67,000	60,800	53,300	47,800	39,600	32,100
18	78.7	90,000	86,800	82,400	76,900	71,800	70,600	69,400	63,700	58,200	51,500	46,700	39,600	32,100
19	77.7	81,800	77,100	72,700	67,400	62,400	61,400	60,400	54,600	49,300	42,900	38,300	31,500	25,100
20	76.6	73,400	69,000	64,800	59,500	54,900	53,800	52,600	47,100	42,100	35,900	31,500	24,900	18,700
22	74.4	60,100	56,000	52,000	46,900	42,500	41,500	40,500	35,200	30,400	24,600	20,500	14,300	8,500
24	72.1	50,000	46,000	42,300	37,400	33,200	32,300	31,300	26,400	21,800	16,300	12,300	6,300	
26	69.9	42,300	38,300	34,800	30,200	26,200	25,300	24,400	19,600	15,200	9,900			
28	67.6	35,900	32,100	28,600	24,200	20,200	19,400	18,500	13,800	9,700				
30	65.3	30,600	27,100	23,500	19,400	15,600	14,700	13,800	9,400					
32	62.9	26,400	22,700	19,600	15,400	11,600	10,900	10,100						
34	60.4	22,700	19,100	16,000	12,100	8,300	7,600	6,800						
36	57.9	19,400	16,000	13,000	9,000									
38	55.3	16,700	13,400	10,300	6,600									
40	52.6	14,300	11,000	8,100										
45	45.2	9,400	6,600											

## 65' Boom

Load Radius (ft.)	Boom Angle (deg)	Jib Length (ft)												
		50	60	70	80	90	100	110	120	130	140	150	160	170
17	81.4	89,300	89,300	89,300	85,700	84,000	82,200	78,400	72,500	67,000	60,400	55,500	48,500	41,800
18	80.5	89,300	87,300	82,900	77,600	76,000	74,500	70,700	65,000	59,700	53,500	48,700	42,100	35,700
19	79.6	82,000	77,600	73,400	68,100	66,500	65,000	61,500	56,000	50,900	44,900	40,300	33,900	27,700
20	78.7	73,800	69,400	65,200	60,400	58,800	57,300	54,000	48,700	43,800	37,900	33,500	27,300	21,300
22	76.9	60,600	56,400	52,400	47,800	46,400	44,900	41,800	36,800	32,100	26,600	22,700	16,700	11,200
24	75.0	50,400	46,500	42,700	38,300	37,000	35,700	32,600	28,000	23,500	18,300	14,500	8,800	
26	73.2	42,500	38,500	35,200	30,800	29,600	28,400	25,500	20,900	16,700	11,600	8,100		
28	71.3	36,100	32,600	29,300	25,100	23,900	22,700	19,800	15,400	11,400	6,600			
30	69.4	30,800	27,300	24,000	20,000	18,800	17,600	14,900	10,800	7,000				
32	67.4	26,400	22,900	19,800	16,000	14,800	13,600	11,200	7,000					
34	65.5	22,700	19,400	16,300	12,500	11,400	10,300	7,900						
36	63.5	19,600	16,300	13,400	9,700	8,700	7,700							
38	61.4	16,700	13,600	10,800	7,200									
40	59.3	14,500	11,400	8,500										
45	53.8	9,400	6,600											

## 75' Boom

Load Radius (ft.)	Boom Angle (deg)	Jib Length (ft)												
		50	60	70	80	90	100	110	120	130	140	150	160	170
19	81.0	82,200	77,800	73,600	68,500	67,200	65,900	62,400	57,100	52,000	46,300	41,800	35,500	29,700
20	80.2	73,600	69,400	65,400	60,600	59,300	57,900	54,600	49,300	44,700	39,000	34,800	28,600	23,100
22	78.7	60,600	56,600	52,900	48,200	47,000	45,800	42,700	37,900	33,500	28,200	24,200	18,500	13,200
24	77.1	50,400	46,700	43,200	38,800	37,700	36,600	33,500	28,800	24,600	19,800	16,000	10,500	
26	75.5	42,500	39,000	35,500	31,500	30,300	29,100	26,400	22,000	18,000	13,200	9,700		
28	73.9	36,100	32,600	29,300	25,300	24,200	23,100	20,500	16,300	12,500	7,900			
30	72.3	30,800	27,500	24,400	20,500	19,500	18,500	15,800	11,900	8,100				
32	70.6	26,600	23,300	20,200	16,500	15,500	14,500	12,100	8,100					
34	69.0	22,900	19,600	16,700	13,200	12,200	11,200	8,800						
36	67.3	19,600	16,500	13,600	10,100	9,100	8,100							
38	65.6	16,900	13,800	11,000	7,700									
40	63.9	14,500	11,400	8,800										
45	59.4	9,700	6,800											

# Rated Loads in Pounds for CK1000-III Crane Boom with Luffing Jib Attached but not Used

LUFFING JIB ATTACHED TO BOOM AT 23 DEGREE OFFEST ANGLE

3 Counterweights + 2 Low Weights - Crawlers fully extended

85' Boom														
Load Radius (ft.)	Boom Angle (deg)	Jib Length (ft)												
		50	60	70	80	90	100	110	120	130	140	150	160	170
20	81.4	73,800	69,600	65,900	61,000	59,800	58,600	55,300	50,200	45,600	40,100	36,100	30,200	24,600
22	80.0	60,600	56,600	53,100	48,700	47,500	46,300	43,200	38,500	34,100	29,100	25,300	19,600	14,500
24	78.6	50,400	46,900	43,400	39,200	38,100	37,000	34,100	29,700	25,500	20,700	17,100	11,900	7,000
26	77.3	42,500	39,000	35,700	31,700	30,700	29,700	26,900	22,700	18,700	14,100	10,800		
28	75.9	36,100	32,600	29,500	25,700	24,800	23,800	21,100	16,900	13,400	8,800			
30	74.4	31,000	27,500	24,600	20,900	19,900	18,900	16,500	12,500	9,000				
32	73.0	26,600	23,300	20,500	16,900	15,900	14,900	12,700	8,800					
34	71.6	22,900	19,800	16,900	13,400	12,500	11,600	9,400						
36	70.1	19,600	16,500	13,800	10,300	9,400	8,500	6,300						
38	68.7	16,900	13,800	11,200	7,900	7,100	6,300							
40	67.2	14,500	11,400	9,000										
45	63.4	9,700	6,800											

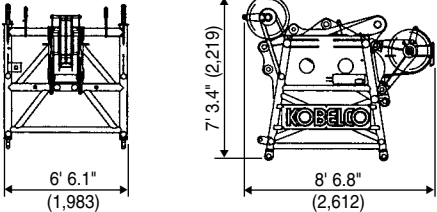
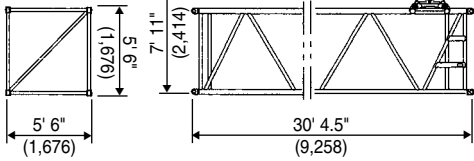
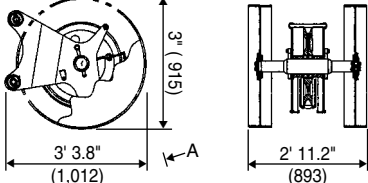
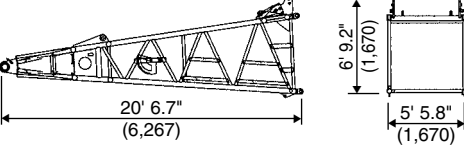
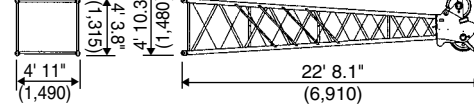
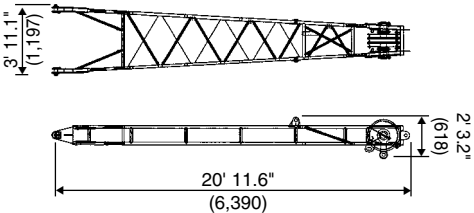
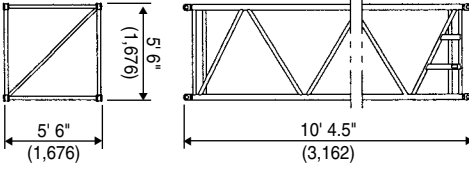
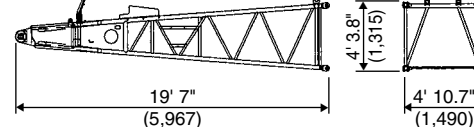
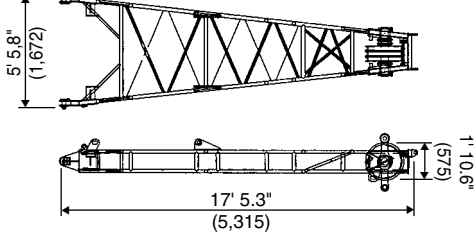
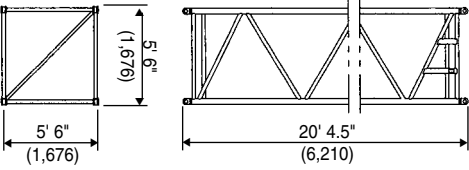
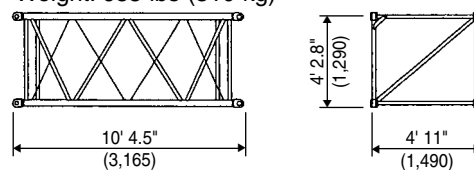
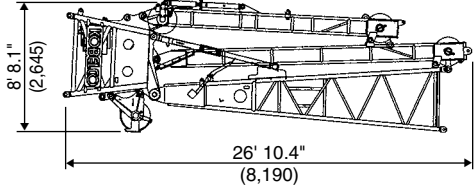
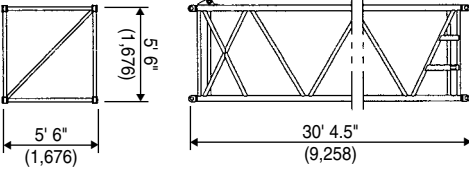
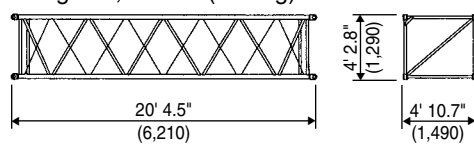
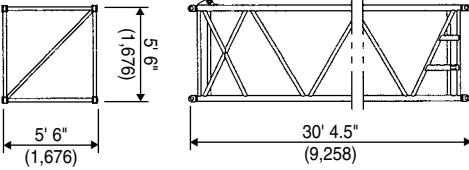
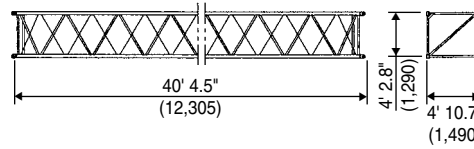
95' Boom														
Load Radius (ft.)	Boom Angle (deg)	Jib Length (ft)												
		50	60	70	80	90	100	110	120	130	140	150	160	170
22	81.1	60,600	56,600	53,100	52,000	50,900	46,700	43,600	39,000	34,800	29,700	26,000	20,500	15,600
24	79.9	50,400	46,900	43,400	42,400	41,400	37,200	34,600	30,200	26,200	21,300	17,800	12,700	8,100
26	78.6	42,500	39,000	35,900	34,900	33,900	29,900	27,300	23,100	19,400	14,900	11,600	6,600	
28	77.4	36,100	32,800	29,700	28,700	27,700	24,000	21,600	17,600	14,100	9,700	6,600		
30	76.1	30,800	27,700	24,600	23,800	22,900	19,400	16,900	13,200	9,700				
32	74.9	26,400	23,100	20,200	19,400	18,500	15,200	13,000	9,200					
34	73.6	22,700	19,600	16,700	15,900	15,200	11,900	9,700						
36	72.3	19,600	16,500	13,800	13,100	12,300	9,000	6,800						
38	71.0	16,700	13,600	11,200	10,300	9,400	6,300							
40	69.7	14,100	11,400	8,800	8,000	7,200								
45	66.4	9,200	6,600											

105' Boom														
Load Radius (ft.)	Boom Angle (deg)	Jib Length (ft)												
		50	60	70	80	90	100	110	120	130	140	150	160	170
22	81.9	60,400	56,600	55,500	54,400	50,900	46,700	43,800	39,400	35,200				
24	80.8	50,400	46,700	45,700	44,700	41,400	37,400	34,800	30,600	26,600				
26	79.7	42,500	39,000	38,000	37,000	33,900	30,200	27,700	23,500	19,800				
28	78.6	35,900	32,600	31,700	30,800	28,000	24,200	21,800	18,000	14,500				
30	77.5	30,800	27,500	26,600	25,700	23,100	19,600	17,100	13,400	10,100				
32	76.4	26,400	23,300	22,400	21,600	18,900	15,600	13,400	9,700	6,600				
34	75.2	22,700	19,800	18,900	18,000	15,400	12,300	10,100	6,600					
36	74.1	19,400	16,500	15,700	14,900	12,300	9,200	7,200						
38	72.9	16,500	13,600	12,800	12,100	9,700	6,600							
40	71.8	14,300	11,400	10,800	10,100	7,700								
45	68.8	9,200	6,600											

115' Boom														
Load Radius (ft.)	Boom Angle (deg)	Jib Length (ft)												
		50	60	70	80	90	100	110	120	130	140	150	160	170
24	81.6	50,400	49,300	48,200	44,900									
26	80.6	42,500	41,500	40,500	37,200									
28	79.6	36,100	35,100	34,100	31,000									
30	78.6	30,800	29,900	29,100	26,000									
32	77.6	26,400	25,600	24,900	21,800									
34	76.5	22,400	21,700	20,900	18,000									
36	75.5	19,400	18,700	18,000	15,200									
38	74.5	16,500	15,800	15,200	12,300									
40	73.4	14,100	13,400	12,700	10,100									
45	70.8	9,200	8,500	7,900										

# Specifications of Luffing Jib Attachments **KOBELCO**

Dimensions: ft-in (mm) - Weight: lbs (kg)

<p><b>Luffing Boom Tip (Includes pin connected boom point sheave)</b> Weight: 2,580 lbs (1,170 kg)</p> 	<p><b>30 ft (9.1 m) Special Insert Boom</b> Weight: 2,560 lbs (1,160 kg)</p> 	<p><b>Auxiliary Sheave</b> Weight: 840 lbs (380 kg)</p>  <p style="text-align: center;">Section A-A</p>
<p><b>Luffing Boom Base</b> Weight: 3,400 lbs (1,540 kg)</p> 	<p><b>*Jib Tip</b> Weight: 2,580 lbs (1,170 kg)</p> 	<p><b>Front Strut</b> Weight: 1,160 lbs (527 kg)</p> 
<p><b>10 ft (3.0 m) Insert Boom</b> Weight: 870 lbs (395 kg)</p> 	<p><b>Jib Base</b> Weight: 1,900 lbs (863 kg)</p> 	<p><b>Rear Strut</b> Weight: 1,215 lbs (550 kg)</p> 
<p><b>20 ft (6.1 m) Insert Boom</b> Weight: 1,470 lbs (665 kg)</p> 	<p><b>*10 ft (3.0 m) Insert Jib</b> Weight: 685 lbs (310 kg)</p> 	<p><b>Luffing Boom Tip Assembly (For transportation)</b> Weight: 7,720 lbs (3,500 kg)</p> 
<p><b>30 ft (9.14 m) Insert Boom</b> Weight: 2,060 lbs (935 kg)</p> 	<p><b>*20 ft (6.1 m) Insert Jib</b> Weight: 1,150 lbs (520 kg)</p> 	<p><i>* Denotes parts common to straight crane booms.</i></p> <p><i>Note: Luffing jib winch (also used as 3rd winch) weighs 5,080 lbs (2,300 kg) including wire rope.</i></p>
<p><b>30 ft (9.14 m) Insert Boom</b> Weight: 2,060 lbs (935 kg)</p> 	<p><b>*40 ft (12.2 m) Insert Jib</b> Weight: 2,120 lbs (960 kg)</p> 	

# CK1000-III Luffing Jib

---

**Note:** Due to our policy of continual product improvement, all designs and specifications are subject to change without advance notice. Pictures inside this publication may show machines with optional equipment. This manual and the specifications herein were prepared for the market served by Kobelco Cranes North America Inc. including North America and Latin America. Kobelco product specifications in other world markets may differ.

---

## **KOBELCO CRANES CO., LTD**

Oval Court Ohsaki Mark West Bldg., 17-1, Higashigotanda 2-chome,  
Shinagawa-ku, Tokyo, 141-8626 JAPAN  
Tel: ++81 (0) 3-5789-2130 Fax: ++81 (0) 3-5789-3372

## **KOBELCO CRANES NORTH AMERICA INC.**

10845 Train Court  
Houston Texas 77041 U.S.A  
Tel: 713-856-5755 Fax: 713-856-9072  
[www.kobelcocranesnorthamerica.com](http://www.kobelcocranesnorthamerica.com)